

ENGLISH	3
SVENSKA	13
DEUTSCH	24
FRANÇAIS	35

OPERATING INSTRUCTIONS	Translation of original manual
BRUKSANVISNING	Originalmanual
BETRIEBSANLEITUNG	Übersetzung der Originalbetriebsanleitung
MODE D'EMPLOI	Traduction du mode d'emploi original

JK35T590

From serie no 1402486
Från serienummer 1402486
Ab Serie-Nr. 1402486
A partir du no de série 1402486

Pneumatic stapling pliers
Pneumatisk häftång
Druckluft-Heftzange
Agrafeuse pince pneumatique



Before using the tool, read the operating instructions carefully.

Läs igenom bruksanvisningen noga innan du använder klammerverktyget.

Vor dem Gebrauch des Gerätes die Betriebsanleitung aufmerksam lesen.

Avant l'utilisation de l'appareil, consultez soigneusement le mode d'emploi.



TABLE OF CONTENTS

	Page
1 Technical data	2
2 General information	3
2.1 Information on environmental protection	3
3 Safety instructions	4
4 Description	5
4.1 Design	5
4.2 Function	5
5 Initial operation	6
5.1 Installation	6
5.2 Air connection / Lubrication	6
6 Operating instructions	7
6.1 Adjust the stapling gap	7
6.2 Loading the magazine	8
6.3 Operating the stapler	8
7 Preventive and corrective maintenance	9
7.1 Cleaning the stapler	9
7.2 Removing jammed staples	9
7.3 Replace the driver blade	10
7.4 Control the clinch	11
7.5 Adjust staple clinch	11
8 Trouble shooting	12
9 Spare parts kit	46
10 Parts list with recommended wear parts	47
Exploded drawing	49

SE JOSEF KIHMBERG AB

Industrigatan 37B

SE-544 50 HJO

Telephone: +46 503 328 00
 Fax: +46 503 328 01
 E-mail: reception@kihlberg.se
 Internet: www.kihlberg.com

1

TECHNICAL DATA

Weight	2.7 kg (6.0 lbs)
Dimensions	Length 335 mm (13,2") Width 65 mm (2,6") Height 220 mm (8,7")
Magazine capacity	100 staples
Staple leg length	19–32 mm (5/8"–1 1/4")
Nose length	0 mm (0.1 in)
Throat depth	65 mm (2,6")
Throat opening	12 - 27 mm (1/2 - 1/8")
Recommended working air pressure	5.5–6.5 bar (80–87 psi)
Max. air pressure	7 bar (100 psi)
Air consumption per driving operation at 6 bar operating pressure	0.85 litres
Noise characteristic levels according to:	EN 12549
A-weighted single-event emission sound pressure level at work station	94 dB
A-weighted sound energy level	103 dB
Vibration level:	Vibration below the limit of declaration according to EN 792-13 measured according to ISO 8662-11.

FASTENERS

Staple JK590-19 (3/4")	Art.No 400517
Staple JK590-22 (7/8")	Art.No 400518
Staple JK590-25 (1")	Art.No 400519
Staple JK590-32 (1 1/4")	Art.No 400521

DECLARATION OF CONFORMITY



We take sole responsibility for declaring that the bottom stapler JK35T590, to which this declaration refers, is in full compliance with the current requirements of the guidelines laid down by the council on 17th May 2006 (2006/42/EG) "Machine Guidelines".
 Complies with norms: ISO 12100:2010

SE-544 50 HJO, 06.05.2020

Plant Manager:

Thor-Björn Elmers
 Agent for the publication of technical documentation:
 Josef Kihlberg AB, Industrigatan 37B SE-544 50 HJO

2

GENERAL INFORMATION



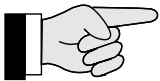
CAUTION!

Used where there is danger to life and health.



WARNING!

Used for danger which can cause material damage.



NOTE!

Used for general information and information which if not followed can cause faults in the operating sequence.

These operating instructions are intended to simplify familiarisation with the pliers and the possibilities of application for the intended purpose. The operating instructions contain important information concerning the safe, proper and efficient use of the pliers. Observation of the information will help to avoid danger, reduce repairs and stoppages and increase the reliability and service life of the pliers.

The operating instructions must always be available at the place of operation of the pliers. They must be read and observed by all persons concerned with work on the pliers. This work specifically includes operation, refilling of operating material, fault elimination and maintenance.

In addition to the operating instructions and the regulations for accident prevention effective in the country of use and place of application, the recognised technical regulations for safety and proper working must also be observed.

2.1 INFORMATION ON ENVIRONMENTAL PROTECTION

This stapler is manufactured without any physical or chemical substances which could be dangerous to health. For disposal of all the parts, the governmental instructions must be observed.

3

SAFETY INSTRUCTIONS



Inform yourself!
Read the operating instructions carefully.



Original JOSEF KIHHLBERG staples must be used exclusively!



Protect yourself!
When operating the stapler, wear eye, ear protection.



Original JOSEF KIHHLBERG spare parts must be used exclusively!
Not using original spare parts will dissolve the warranty and the liability.



Warning: Danger of crushing!
Do not put your fingers underneath the nozzle.



Warning: Hazard!
Lay the compressed air hose so that there is no risk of tripping over it.

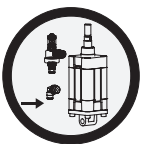


Do not exceed the air pressure!
Do not exceed the recommended air pressure.

Use for the intended purpose

The stapler is intended for flat stapling and transport packaging of soft material to each other as cardboard, solid paper and fabric.

This stapler was designed and manufactured for safe handling during the stapling operation.



Use safety coupling!
For connecting the air hose to the stapler, use only a safety coupling.

Possible misuse

Do not fire any staples without any material between the anvil and the nozzle. Only use the stapler on material as recommended.



Do not use a bottled air or gas source!
Do not operate this stapler by using a bottled air or gas source.

Servicing

The following maintenance work must be carried out at regular intervals, varying with working conditions and workload:

- daily check of compressed air pressure (5.5–6.5 bar).
- clean the stapler regularly.
- check the condition of the stapler at regular intervals for defects or worn parts. Never use a stapler that has defective or worn parts (for servicing task refer also to chapter 7.1 and 7.2).



Never leave a loaded tool unattended!
Always disconnect the tool from air supply when not in use.

4

DESCRIPTION

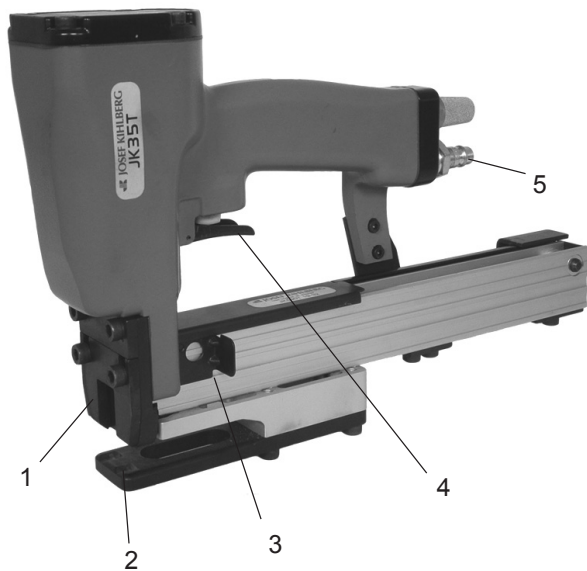


Fig. 1

4.1 DESIGN

- 1 Door
- 2 Anvil
- 3 Pusher
- 4 Trigger
- 5 Nipple

4.2 FUNCTION

The pliers JK35T590 has only single shot firing without safety yoke.

1. First place the tool around the work piece,
2. then pull the trigger (Fig.1/4).

To avoid damage to the driver blade, never fire it without any work piece.



Warning: before stapling ensure that your hand or any other part of your body is not underneath the nozzle.

5

INITIAL OPERATION

5.1 INSTALLATION

The stapler is delivered without nipple assembled. Assemble the nipple as following:

1. Take the stapler out of the box. Check that the nipple is the correct brand and fits your air system. Put sealing compound at the threadle. (Fig. 2/1).
2. Assemble the nipple. Tightening torque 7.5 Nm.

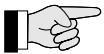


Lay the compressed air hose so there is no risk of tripping over it.



Fig. 2

5.2 AIR CONNECTION / LUBRICATION



Properly prepared compressed air is essential for trouble free operation of the stapler. This can only be ensured by a reliably functioning maintenance unit, consisting of water separator, pressure reducing valve with pressure gauge. The internal diameter of the pipe should be at least 10 mm ($\frac{3}{8}$ ”).



Never exceed the maximum permitted air pressure of 7 bar (102 psi). The maximum supply pressure is 8 bar (117 psi).

A low air pressure will give low maintenance costs!

The stapler and the hose must have a coupling which automatically bleeds all air pressure from the stapler when it is disconnected.

The stapler needs a small amount of lubricating oil in the nipple each day or approx. 10 drops once a week to ensure safe functioning and endurance. For high frequency stapling we recommend oil mist lubricator. Please contact our agent for advice.

733007 Lubrication oil 0.2 dl. (Fig. 3/1)

Sliding parts are greased, with Dow Corning grease MS 4 Silicon Compound, at the factory. We recommend use this grease on moving parts if they have been cleaned or replaced.

184943 Tube of MS 4. (Fig. 3/2)



733007



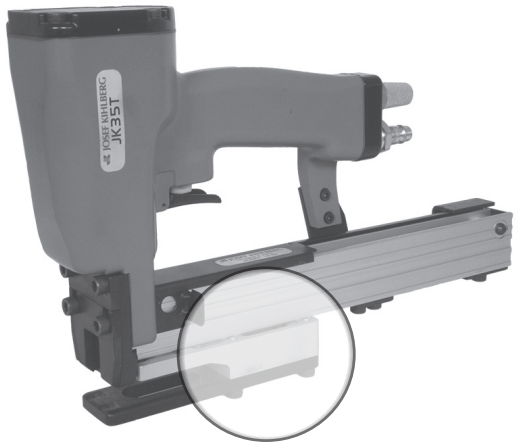
184943

Fig. 3

6

OPERATING INSTRUCTIONS

6.1 ADJUST THE STAPLING GAP



Be sure that the tool is not pointing at yourself or anyone else when connecting it to the compressed air line.

During operation, the pliers' gap is fixed. If necessary the gap can be set to accommodate different material thicknesses. Spacers with 3 and 6 mm thickness are available. These spacers are delivered with the tool, together with a set of longer screws to be used when spacers of more than 3 mm total are inserted.

- Unscrew the four screws (Fig. 4/1) and remove.
- Measure the work piece and add 1–2 mm.
- Adjust with 3 and 6 mm spacers so you receive this space between the nozzle and the tongue.
- Check so the pliers can be moved easily at the work piece.
- Adjust the anvil as described in chapters 7.4 and 7.5.

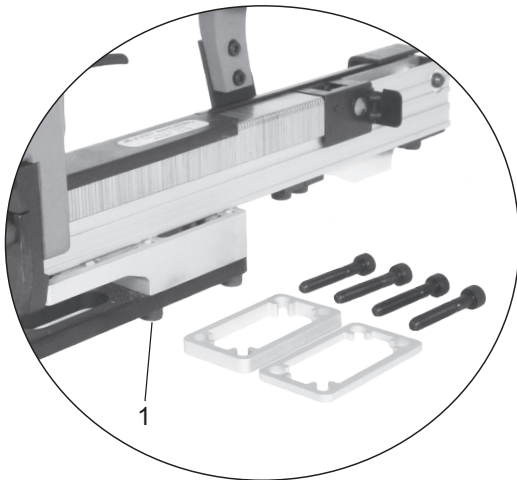


Fig. 4

6

OPERATING INSTRUCTIONS

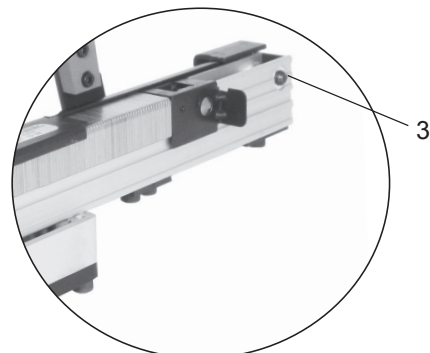
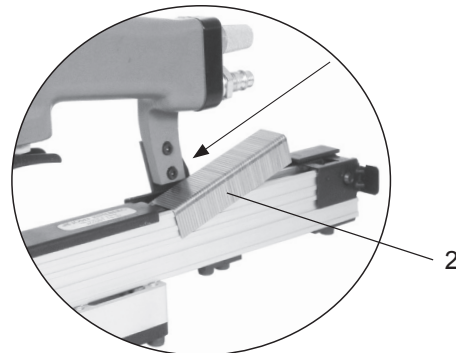
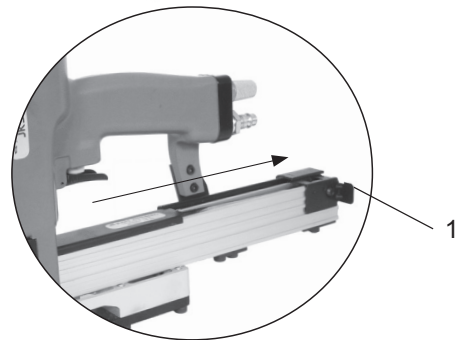
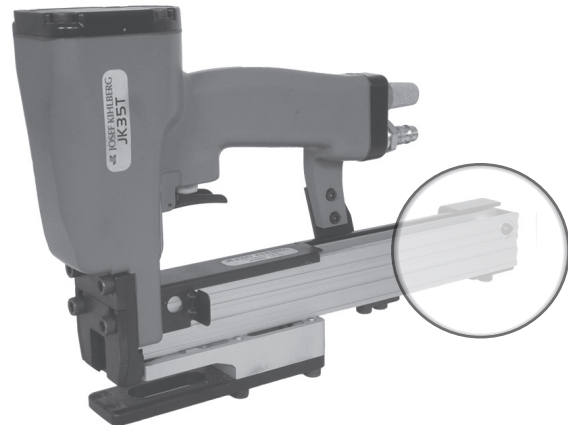
6.2 LOADING THE MAGAZINE



Be sure that the tool is not pointing at yourself or anyone else when connecting it to the compressed air line.

- Connect the tool to the compressed air line before loading staples. The max. allowed air pressure is 7 bar (102 psi)..
- **Always use Josef Kihlberg original staples JK590 with leg length 19 (3/4") to 32 mm (1 1/4").**
The correct type of staple is marked on the top of the magazine cover. Ensure you use the right length of staples for your application.

1. Pull the pusher all the way out. (Fig. 5/1)
2. Place two staple strips into the magazine from the top (5/2)
3. Push the lock (5/3) and release the pusher. Forward it carefully until it reach the staples.



6.3 OPERATING THE STAPLER

Adjust the air pressure to the lowest one that will drive the staples to the desired depth. Start at approx. 5.5 bar (80 psi) and raise this by 0.5 bar (7 psi) increase until the correct operating pressure for the job in hand is found. Never exceed 7 bar (100 psi).

A low air pressure will give low maintenance costs!



Always place yourself in a firmly balanced position when using or handling the tool. Do not drive staples at too steep an angle or too close to the edge of the work: the fastener might fly free and hurt someone.

- Place the tool firmly on the work surface. Never drive staples in extremely hard or brittle material. Do not drive staples at too steep an angle or too close to the edge of the work: the staples might fly free and hurt someone.



Warning: before stapling, ensure that your hand or any other part of your body is not underneath/between the nozzle and anvil.

- Pull the trigger as described in chapter 4,2
- Move the tools sideways until you have finished and then release the trigger.
- **Control the clinch, refer to chapter 7.5.**

Fig. 5

7

PREVENTIVE AND CORRECTIVE MAINTENANCE



Before all maintenance tasks on the stapler always first disconnect it from the air supply.

7.1 CLEANING THE STAPLER

This stapler does not require special servicing. It only needs regular cleaning with a non-aggressive (non-corrosive) cleaner agent. Do not remove any parts for cleaning purposes!



Check the proper functioning of all safety devices daily. Make especially sure that:

- the trigger works smoothly, the door stays in place and the magazine lid does not open itself.
- all screws and nuts are securely tightened.
- the stapler is regularly lubricated (refer to chapter 5.2).

7.2 REMOVING JAMMED STAPLES

To remove a staple which has become jammed:

- Unscrew the two front screws two turns (Fig. 6/1).
- Remove the door from the screws (Fig. 7/1).
- Clean the nozzle from the defective staple.
- Assemble in the opposite way.

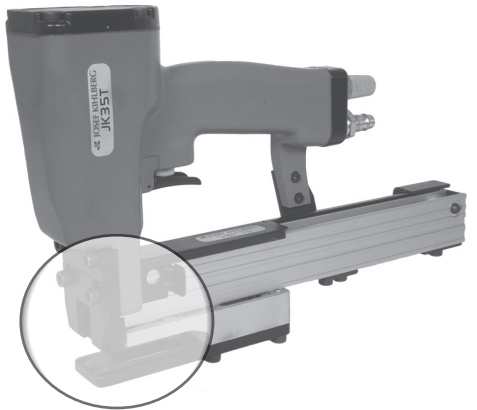


Fig. 6

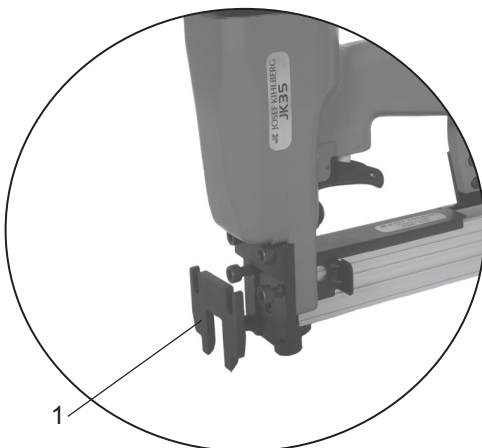


Fig. 7

7.3 REPLACE THE DRIVER BLADE

- Disconnect tool from air supply.
- Remove the four screws (Fig. 8/1) holding the top cap. Remove the four screws (Fig. 8/1) holding the top cap.
- Remove the cylinder liner cover (8/2).
- Turn the tool upside down and knock it carefully against a piece of wood to loosen the driving parts.
- Remove the driving parts.
- Change the driver blade (8/3).
- Grease (Part No. 184943) all O-rings and sliding surfaces. Assemble the driving parts as indicated in the picture.
- Enter the driver into the nozzle and push it down. Check that the piston and the driver move freely in the cylinder and in the nozzle.
- Mount the cylinder liner cover.
- Mount the top cap and tighten the four screws (8/1).

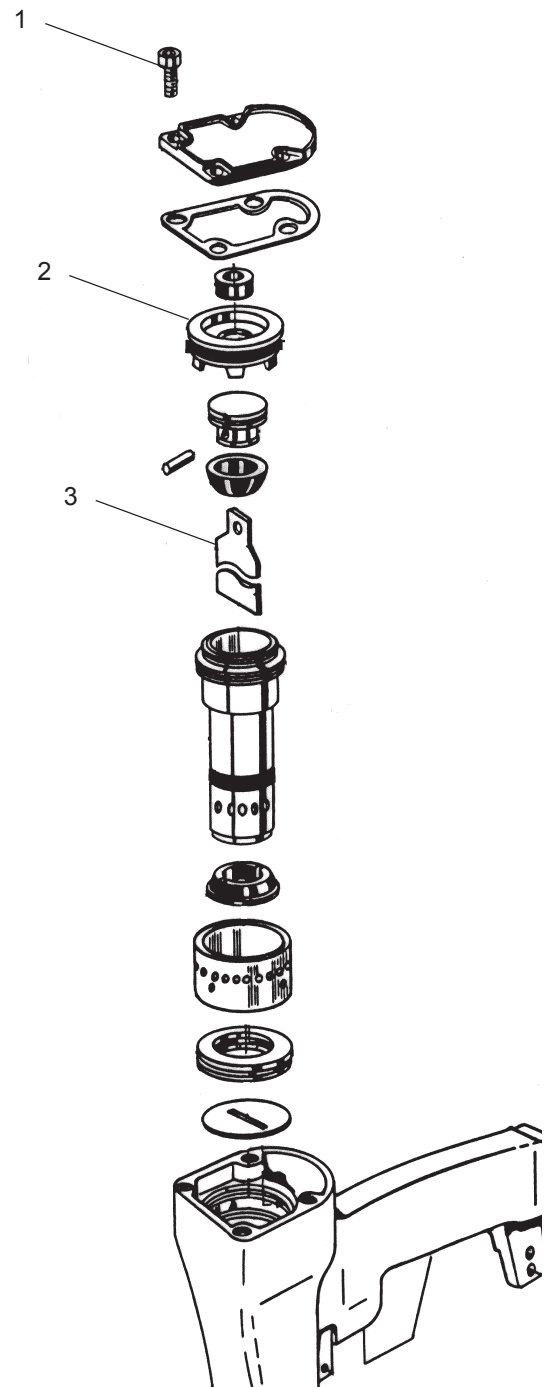


Fig. 8

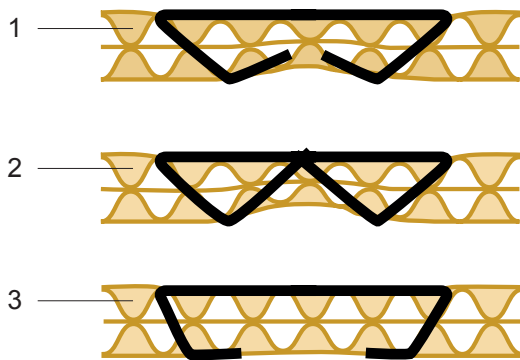


Fig. 9

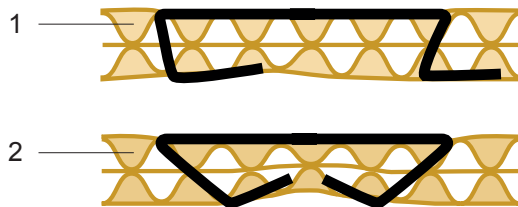


Fig. 10

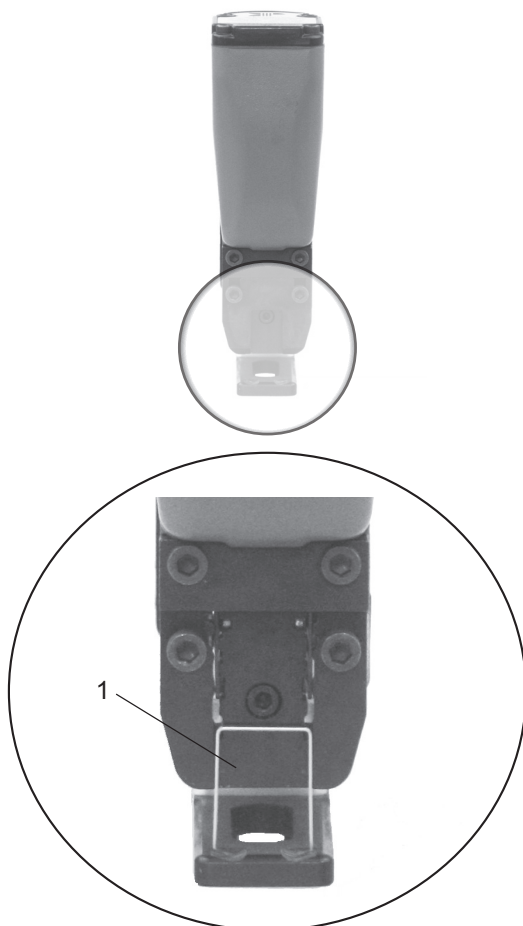


Fig. 11

7.4 CONTROL THE CLINCH

- 1 Good clinch.
- 2 Leg length of the staple too long.
- 3 Leg length of staple too short.



Always use Josef Kihlberg original staples: JK590-19 up to 32 mm.

7.5 ADJUST STAPLE CLINCH

Each plier is tested carefully before delivery. By rough treatment during operation the anvil therefore might need to be adjusted. Uncorrect clenching may then occur (Fig. 10/1).

- Disassemble the door.
- Insert a loose staple into the nozzle (Fig.11/1).
- Unscrew the four screws on the rear of the anvil a 1/4 turn. Push a staple to the anvil and adjust the tongue so that the staple hits the anvil hollows symmetrically.
- Then tighten the screws.
- Assemble the door.
- Make a test-stapling in a piece of carton. If the anvil is correct adjusted the clinch should be like in (Fig. 10/2).

8

TROUBLE SHOOTING



Before all trouble shooting tasks on the stapler it must first be disconnected from the air supply.

FAULT	ELIMINATION
<p>No staples when firing the tool.</p>	<ul style="list-style-type: none"> - Check that the right type of staples is being used and moves easily inside the rail. - Always use Josef Kihlberg original staples. - Check if the feeder spring is not defective. If necessary replace. - Check if the staple pusher is not defective. If necessary replace. - Clean the staple track. - Air pressure too low. Secure that working pressure is as recommend, see chapter 6.3.
<p>Inadequate power. The staples do not penetrate the material sufficiently.</p>	<ul style="list-style-type: none"> - Adjust the air pressure as chapter 6.3. - Has the tool been used without oil? Provide lubrication, see chapter 5.2. - Fit a longer driver blade.
<p>Noise level is too high.</p>	<ul style="list-style-type: none"> - Check if the air pressure is correct. Adjust as per chapter 6.3. - Ensure that the work piece is firmly held in place. Vibration causes high sound levels.
<p>Jammed staple in the nozzle.</p>	<ul style="list-style-type: none"> - Open the door and remove the defective staple, see chapter 7.2.

SVENSKA

INNEHÅLL

	Page
1 Tekniska data	13
2 Allmänt	14
2.1 Miljöinformation	14
3 Säkerhetsföreskrifter	15
4 Beskrivning	16
4.1 Sammansättning	16
4.2 Funktion	16
5 Idrifttagande	17
5.1 Installation	17
5.2 Anslut tryckluft /smörjning	17
6 Användning	18
6.1 Justera häftöppning	18
6.2 Ladda klammermagasin	19
6.3 Använda verktyget	19
7 Förebyggande och avhjälpande underhåll	20
7.1 Rengöring av klammerverktyget	20
7.2 Avlägsna kilad klammer	20
7.3 Byte av drivare	21
7.4 Kontroll av klinch	21
7.5 Justering av klinch	21
8 Felsökning	22
9 Reservdelar som delar	46
10 Reservdelslista	47
Sprängskiss	49

SE JOSEF KIHMBERG AB

Industrigatan 37B

SE-544 50 HJO

Telephone: +46 503 328 00
 Fax: +46 503 328 01
 E-mail: reception@kihlberg.se
 Internet: www.kihlberg.com

1

TEKNISKA DATA

Vikt	2,7 kg (6 lbs)
Dimension	Längd 335 mm (13,2") Bredd 65 mm (2,6") Höjd 220 mm (8,7")
Magasinskapacitet	100 klammer
Klammerlängd	19–32 mm (3/4"–1 1/4")
Noslängd	0 mm (0,0 in.)
Häftdjup	65 mm (2,6 in.)
Häftöppning	12–27 mm (1/2"–1 1/8")
Rekommenderat arbetstryck:	5,5–6,5 bar (80–94 psi)
Max. lufttryck	7 bar (102 psi)
Luftförbrukning per slag vid 6 bars (80 psi) arbetstryck:	0,85 liter
Karakteristisk bullernivå enligt:	EN 12549
Deklarerat A-vägd ljudtrycksnivå vid operatörsplatsen för enstaka förlopp:	94 dB
Deklarerad A-vägd ljudenerginivå	103 dB
Vibrationsnivå:	Vibrationsnivån är under deklara-tionsgräns enligt EN 292-2 upp mätt enligt ISO 8662-11.

Klammer

Klammer JK590-19 (3/4")	Art.No 400517
Klammer JK590-22 (7/8")	Art.No 400518
Klammer JK590-25 (1")	Art.No 400519
Klammer JK590-32 (1 1/4")	Art.No 400521

FÖRSÄKRAN OM ÖVERENSSTÄMMELSE



Försäkrar härmed att bottenhäftaren JK35T590, är tillverkad enligt följande harmoniserande standarder:

SS-EN ISO 12100:2010 samt följer rådets direktiv: 2006/42/EG

SE-544 50 HJO, 06.05.2020

Plant Manager

Thor-Björn Elmers

Behörig att ställa samman den tekniska dokumentation
+46 503 32800:

2

ALLMÄNT

Denna manual är framtagen för att förenkla kännedomen om klammerverktyget och dess handhavande och applikationer. Manualen innehåller viktig information angående säkerhet, korrekt och effektiv användning. Genom att iakttaga denna information hjälper det till att förhindra olyckor och reducera reparationer och driftstörningar och förlänga livslängden på tången.

Manualen skall alltid hållas tillgänglig i arbetsområdet för tången. Den skall läsas och förstås av all personal som använder verktyget.

Som tillägg till manualen skall bestämmelser för förebyggande olycksfallsrisker följas för det land där produkten används. Det skall också iakttas tekniska förordningar angående säker och riktig användning.

2.1 MILJÖINFORMATION

Detta klammerverktyg är tillverkat utan några fysiska eller kemiska substanser vilka kan vara farliga för hälsan. För avfallshantering av samtliga delar skall regeringens lagar och förordningar följas.



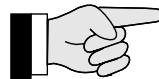
FÖRBUD!

Symbolen används vid fara för liv och lem.



VARNING!

Symbolen används vid risk för materiella skador.



OBSERVERA!

Symbolen används för allmänna instruktioner samt för instruktioner som måste följas för att undvika störningar.

3

SÄKERHETSFÖRESKRIFTER



Informera dig!
Läs igenom bruks-
anvisningen noga.



**Använd alltid Josef
Kihlberg original
klammer.**



Skyddsutrustning!
Bär skyddsutrustning för
ögon och öron när du
använder klammerverk-
tyget.



**Endast original-
reservdelar från
JOSEF KIHMBERG
får användas!**
I annat fall upphävs
garanti och övrigt ansvar
från tillverkaren!



Varning: Akta fingrarna!
Stoppa inte fingrar eller
andra kroppsdelar under
nosen.



Varning: Snubbelrisk!
Lägg tryckluftsslangen
så att det inte finns
någon risk för att
snubbla över den.



**Överskrid inte
luftrycket!**
Överskrid inte rekommenderat luftryck.



**Använd säkerhets-
koppling!**
Anslut luftslangen till
häftaren endast med
säkerhetskoppling.



**Använd aldrig gas från
högtryckstuber!**
Använd aldrig gas från
högtryckstuber.



**Lämna aldrig ett lad-
dat verktyg obevakat.
Koppla alltid bort
luftslangen när det inte
används.**

Användningsområde

Tången är avsedd för planhäftning av transportförpackningar i well, solid papp och tyger.

Häftaren är konstruerad och tillverkad för en säker hantering under häftförloppet.

Möjlig felanvändning

Klamra inte utan något av rekommenderat material mellan nos och städ. Använd endast häftaren för avsett material.

Underhåll

Följande underhåll måste genomföras regelbundet beroende på arbetsmiljö och volym:

- daglig kontroll av arbetstryck 5,5–6,5 bar (80-94 psi).
- regelbunden rengöring av klammerverktyget.
- kontrollera regelbundet konditionen på häftaren och se till att inga defekta eller utslitna delar förekommer. (för mer information angående service se 7.1 and 7.2).

4

BESKRIVNING

4.1 SAMMANSÄTTNING

- 1 Dörr
- 2 Städ
- 3 Frammatare
- 4 Avtryckare
- 5 Nippel

4.2 FUNKTION

Häfttången JK35T590 har enkelskottsavfyrning utan säkerhetsbygel.

1. För in häftmaterialet mellan häfttungan och nosen.
2. Tryck på avtryckare (Fig. 1/4). När du släpper avtryckaren returnerar tungan automatiskt.

Häfta aldrig utan något häftmaterial. Detta förstör drivaren på kort tid.



Varning! innan du häftar, säkerställ att ingen del av din kropp är under nosen.

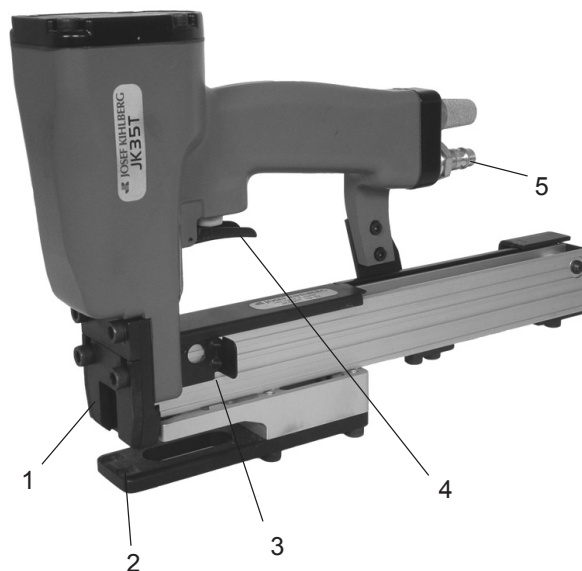


Fig. 1

5

IDRIFTTAGANDE



Fig. 2



Fig. 3

5.1 INSTALLATION

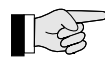
Klammerverktyget levereras med nippeln omonterad. Monteras enligt följande:

1. Tag ur verktyget ur kartongen och kontrollera att nippeln är av samma typ som används i luftins-tallationen. Applicera gängtejp eller gängtätning-sväska på nippeln. (Fig. 2/1).
2. Montera nippeln och använd ett åtdragningmo-ment av 7,5 Nm.



Placera tryckluftsslangen så att den ej utgör något hinder.

5.2 ANSLUT TRYCKLUFT / SMÖRJNING



Häftaren behöver ren och torr tryckluft med tillsats av en liten mängd dimsmörjolja för en långsiktig problemfri drift. Detta kan enklast uppnås med en luftberedare som inkluderar vattenavskiljare och luftregulator med manometer och dimsmörjarenhet. Som alternativ till detta kan dims-mörjolja tillföras i nippeln, några droppar dagligen eller ca 10 droppar / vecka.



Överskrid aldrig maximalt luftryck
Högsta tillåtna tryck är 8 bar (116 psi),
och maximalt matartryck är 8 bar (116 psi)

Justera arbetstrycket till 5.0 - 6 bar (73-87 psi)

Lågt arbetstryck innebär låga underhållskostnader.

Häftaren och slangen måste förses med en koppling med automatisk avluftning som gör häftaren trycklöst vid frångkoppling.

733007 Dimsmörjolja 0,2 dl. (Fig. 3/1)

Verktygets glidytor har vid tillverkningen belagts med fett Dow Corning MS4 silicon Compound. Vi rekomen-derar den för rörliga delar vid rengöring eller utbyte.

184943 Tub av fett MS 4. (Fig. 3/2)

6

ANVÄNDNING

6.1 JUSTERA HÄFTÖPPNING



Säkerställ att verktyget inte pekar mot dig själv eller någon annan när inkoppling sker till tryckluftssystemet

Vid användning är tångöppningen fixerad. Den kan dock varieras med hänsyn till materialets tjocklek med hjälp av mellanlägg. Dessa medlevereras i tjocklek 3 och 6 mm, tillsammans med en sats längre skruvar, som skall användas vid mellanlägg av mer än 3 mm totalt

- Demontera de fyra skruvarna (Fig. 4/1).
- Mät häftmaterialets totala tjocklek och addera 1–2 mm.
- Justera med 3 och 6 mm distanser så att du erhåller detta avstånd mellan nos och tunga.
- Kontrollera att det är lätt att föra tången lätt över arbetsmaterialet.
- Justera tungan enligt kapitel 7.4, 7.5.

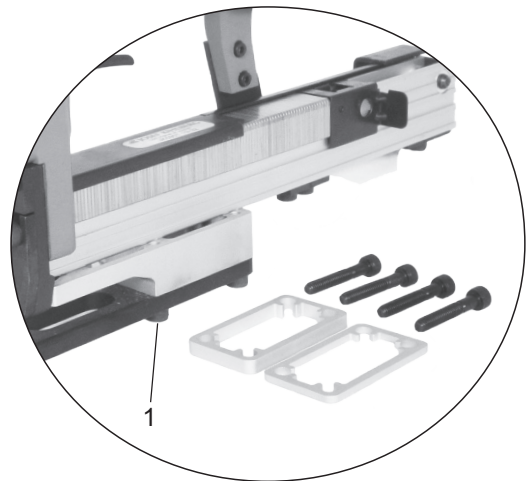
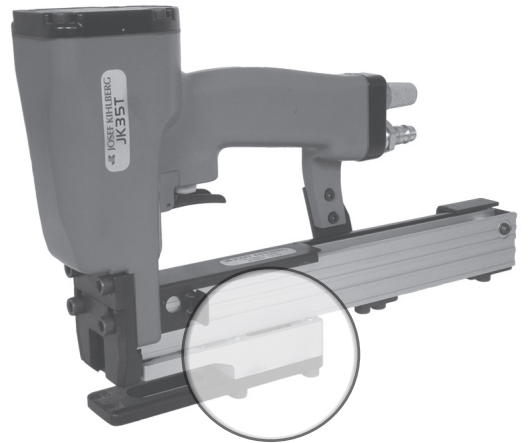


Fig. 4

6.2 LADDA VERKTYGET



Säkerställ att verktyget inte pekar mot dig själv eller någon annan när inkoppling sker till tryckluftssystemet.

- Koppla in verktyget till tryckluftssystemet före du laddar magasinet med klammer. Högsta tillåtna tryck är 7 bar (102 psi).
 - Använd alltid Josef Kihlberg originalklammer för en säker funktion. JK590 med klammerlängd 19 (3/4“) till 32 mm (1 1/4“).
 - Den korrekta typ av klammer är märkt på magasinets ovansida. Kontrollera att rätt längd på klammern används före du börjar klamma.
1. För frammataren helt tillbaka tills den snäpper in runt parkeringsknappen (Fig. 5/1).
 2. För in två klammerstavar i magasinet (5/2).
 3. Frigör frammataren genom att trycka på parkeringsknappen (5/3).

6.3 ANVÄNDNING AV VERKTYGET

- Ställ in lägsta möjliga lufttryck som fortfarande driver klammern till önskat djup. Börja med ungefär 5,5 bar (80 psi) och höj sedan trycket i steg om 0,5 bar (7 psi) tills det rätta arbetstrycket etablerats. Överstig dock aldrig 7 bar (100 psi).
- Ett lågt lufttryck bidrar till att hålla underhållskostnaderna nere!



Vid användning av verktyget bör man stå välbalanserat och stadigt. Om klammern drivs in för nära kanten eller i brant vinkel finns risk för att klammer slungas ut i lokalen.

- Placera häftmaterialet mellan tunga och nos.
- Tryck avtryckaren. Se 4.2.
- Släpp avtryckaren och flytta verktyget och upprepa till rätt önskat antal häftningar har skett.



Varning! innan du häftar, säkerställ att ingen del av din kropp är under nosen.

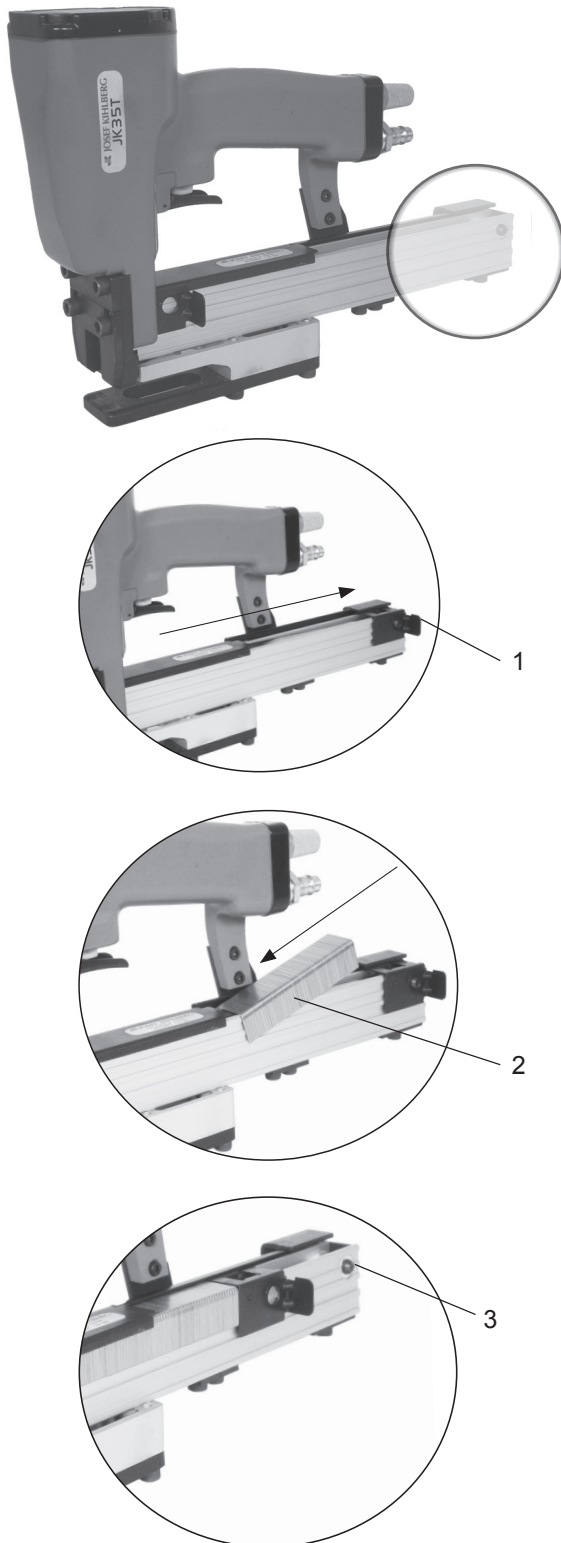


Fig. 5

7

FÖREBYGGANDE OCH AVHJÄLPANDE UNDERHÅLL



Säkerställ att verktyget ej är inkopplat till tryckluftssystemet och att det är trycklöst vid underhållsarbete.

7.1 RENGÖRING AV KLAMMERVERKTYGET

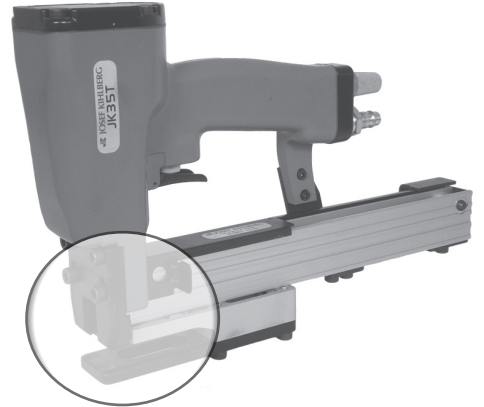
Denna häftare behöver inget speciellt underhåll. Den behöver regelbunden rengöring med ett neutralt rengöringsmedel (ej frätande). Demontera inte några delar vid rengöring.



Kontrollera dagligen verktygets funktion och säkerhetsutrustningar. Speciellt att:

- Avtryckaren inte kärvar, dörrens funktion eller att magasinlocket inte kärvar.

Kontrollera samtidigt att alla skruvar och muttrar är åtdragna.



7.2 AVLÄGSNA KLAMMER SOM FASTNAT

För att ta bort en kilad och defekt klammer gör följande:

1. Lossa de tvåskruvarna som håller dörren (Fig. 6/1).
2. Ta bort dörren från skruvarna (Fig. 7/1).
3. Ta bort den defekta klamman.
4. Montera i omvänd ordning.

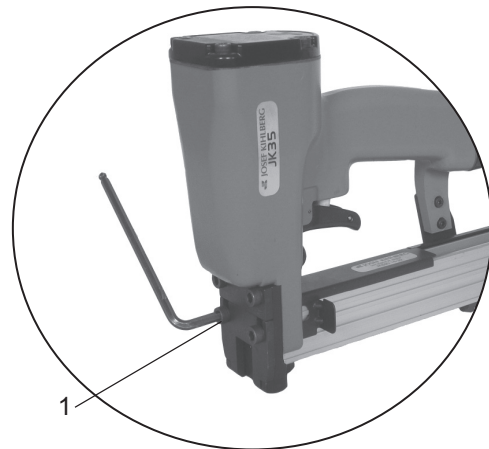


Fig. 6

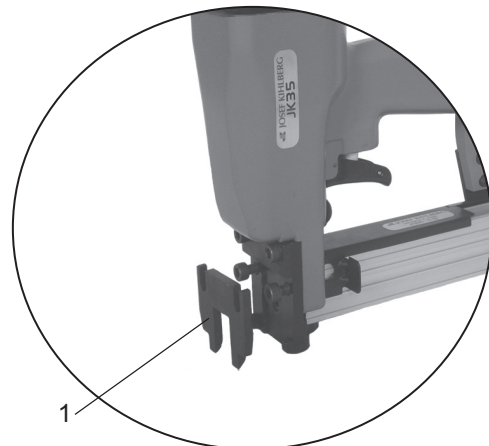


Fig. 7

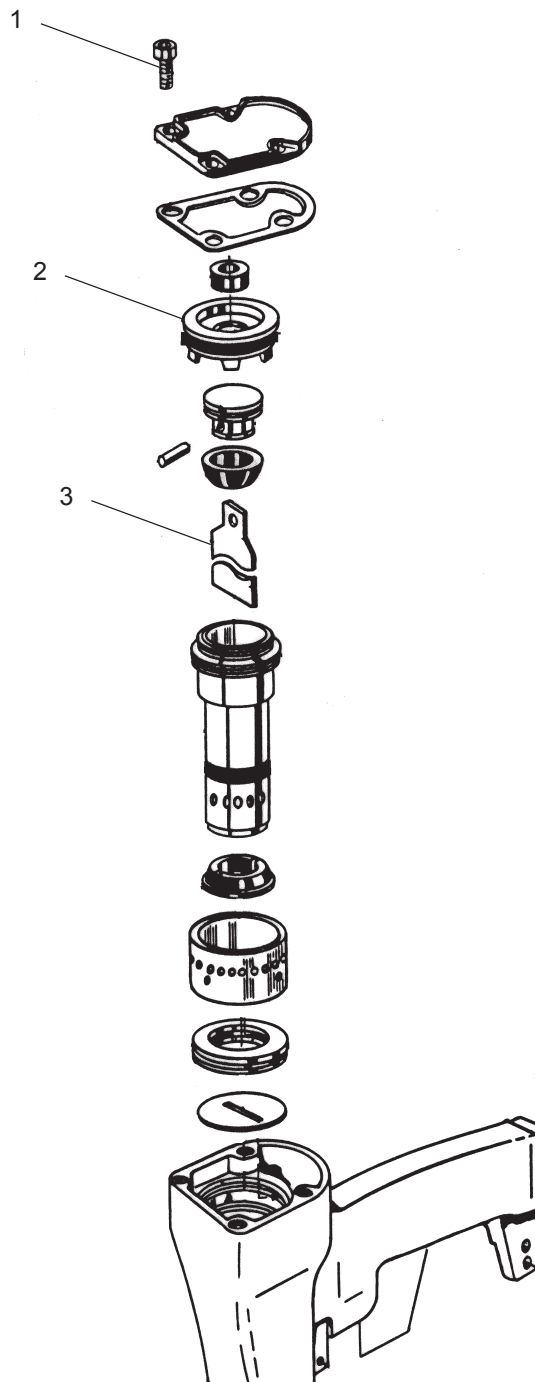


Fig. 8

7.3 BYTE AV DRIVARE

- Demontera de fyra skruvarna till locket (Fig. 8/1).
- Lyft ur locket för cylinderfodret (8/2).
- Vänd verktyget och knacka det försiktigt mot en träbit för att lossa på de drivande delarna.
- Demontera de drivande delarna.
- Demontera kolven från cylindern.
- Byt drivare (8/3).
- Smörj in alla rörliga delar med fett MS4 (Best. nr 184943).
- Montera drivande delar tillsammans.
- Entra drivaren i drivarstyrningen och tryck ned drivarpaketet. Kontrollera att kolven och drivaren löper lätt i cylindern och styrningen.
- Montera locket för cylinderfodret.
- Montera locket och dra åt de fyra skruvarna (8/1).

7.4 KONTROLL AV KLINCH

- 1 Korrekt bockning av klammern.
- 2 För lång benlängd av klammern.
- 3 För kort benlängd av klammern.



Använd alltid Josef Kihlberg original klammer: JK590-19 upp till 32 mm.

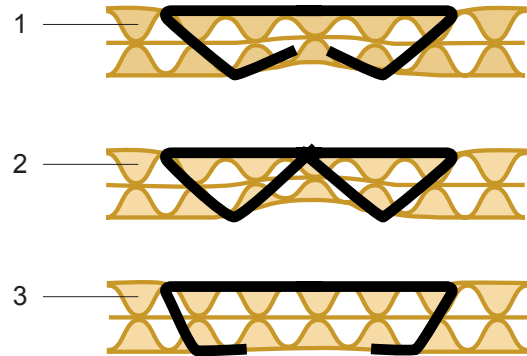


Fig. 9

7.5 JUSTERING AV KLINCH

Varje tång är testad noggrant före leverans. Genom påverkan kan städet komma ur läge och en defekt bockning uppstå. (Fig. 10/1). En enkel justering av städet bör då göras enligt följande.

- Lossa de två skruvarna som håller dörren
- Ta bort dörren från skruvarna
- Montera en klammer i nosen (Fig.11/1).
- Lossa häfttungans fästsruvar ett 1/4 varv. För ned den lösa klammern mot städskålarna och justera tungan i sidled så att klammern är centrerad i städskålarna.
- Drag sedan åt skruvarna till tungan.
- Montera dörren.
- Provhäfta med material och bockningen bör vara enligt (Fig.10/2).

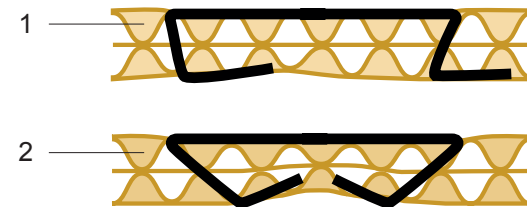


Fig. 10

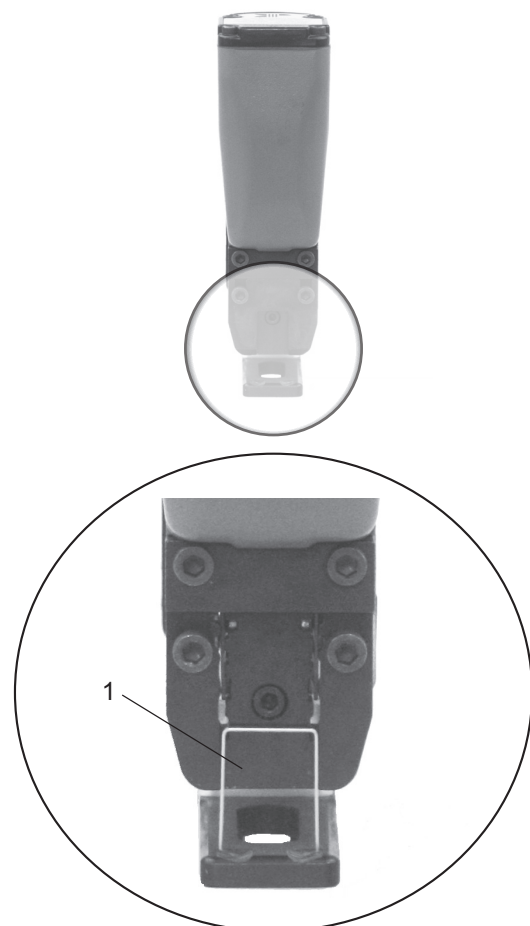


Fig. 11

8

FELSÖKNING



Säkerställ att verktyget ej är inkopplat till tryckluftssystemet och att det är trycklöst vid underhållsarbetet

FEL

MÖJLIG ORSAK / LÖSNING

Ingen klammer när du häftar.

- Kontrollera så att rätt sorts klammer används och att klammerstaven glider lätt på klammerbanan.
- **Andvänd endast Josef Kihlberg original klammer.**
- Kontrollera frammatarfjäders och frammataren så att den inte är defekt. Byt om den är skadad.
- Rengör klammerbanan från föroreningar.
- För lågt lufttryck. Säkerställ att rätt arbetstryck används. Se kapitel 6.3.

Dålig slagkraft. Klammern slås ej in tillräckligt.

- Justera arbetstrycket enligt kapitel 6.3.
- Har verktyget använts utan dimsmörjolja? Säkerställ tillsatssmörjning enligt kapitel 5.2
- Montera ett längre drivarblad.

För hög ljudnivå.

- Kontrollera att arbetstrycket är rätt. Justera enligt kapitel 6,3.
- Säkerställ att arbetsstycket är fastsatt. Vibrationer orsakar hög ljudnivå.

Klammern kilar fast i drivarstyrningen.

- Öppna dörren och ta bort den defekta klammern. Se kapitel 7.2.

DEUTSCH

INHALTSVERZEICHNIS

	Page
1 Technische Daten	24
2 Allgemeines	25
2.1 Hinweis zum Umweltschutz	25
3 Sicherheitsvorschriften	26
4 Beschreibung	27
4.1 Aufbau	27
4.2 Funktionsprinzip	27
5 Inbetriebnahme	28
5.1 Inbetriebnahme	28
5.2 Druckluftaufbereitung	28
6 Bedienung	29
6.1 Einstellen der Geräteöffnung	29
6.2 Magazin mit Klammern laden	30
6.3 Bedienung der Heftzange	30
7 Wartung und Instandsetzung	31
7.1 Reinigung	31
7.2 Steckengebliebene Klammern entfernen	31
7.3 Antriebsschiene ersetzen	32
7.4 Heftung kontrollieren	33
7.5 Heftung einstellen	33
8 Störungsbehebung	34
9 Ersatzteil-Set	46
10 Teileliste mit empfohlenen Ersatzteilen	47
Explosionszeichnung	49

SE JOSEF KIHMBERG AB

Industrigatan 37B

SE-544 50 HJO

Telephone: +46 503 328 00
 Fax: +46 503 328 01
 E-mail: reception@kihlberg.se
 Internet: www.kihlberg.com

1

TECHNISCHE DATEN

Vikt	2,4 kg (5,3 lbs)
Dimension	Längd 335 mm (13,2") Bredd 65 mm (2,6") Höjd 195 mm (7,7")
Magasinskapacitet	100 klammer
Klammerlängd	16–32 mm (5/8"–1 1/4")
Noslängd	2 mm (0,1 in.)
Rekommenderat arbetstryck	5,5 – 6,5 bar (80–87 psi)
Max. tryck	7 bar (100 psi)
Luftförbrukning per slag vid 6 bar (80 psi) arbetstryck.	0,85 liter
Karakteristisk bullernivå enligt:	EN 12549
Deklarerad A-vägd ljudtrycksnivå vid operatörsplatsen för enstaka förlopp	94 dB
Deklarerad A-vägd ljudenerginivå	103 dB
Vibrationsnivå: dekla upp	Vibrationsnivån är under rationsgränsen enligt EN 292-2 mätt enl. ISO 8662-11.

KLAMMER

Klammer JK590-16 (5/8")	Art. nr 400516
Klammer JK590-19 (3/4")	Art. nr 400517
Klammer JK590-22 (7/8")	Art. nr 400518
Klammer JK590-25 (1")	Art. nr 400519
Klammer JK590-32 (1 1/4")	Art. nr 400521

KONFORMITÄTSERKLÄRUNG



Wir erklären in alleiniger Verantwortung, dass die Maschine JK35T590, auf die sich diese Erklärung bezieht, mit den geltenden Bestimmungen der Richtlinie des Rates vom 17. Mai 2006 (2006/42/EG) „Maschinen-Richtlinie“ übereinstimmt.

Berücksichtigte Normen: ISO 12100:2010

SE-544 50 HJO, 06.05.2020

Plant Manager:

Thor-Björn Elmers

Bevollmächtigte zur Herausgabe von technischen Unterlagen:
 Josef Kihlberg AB, Industrigatan 37B, SE-544 50 HJO

2

ALLGEMEINES



VORSICHT!

Wird verwendet bei Gefahren für Leben und Gesundheit.

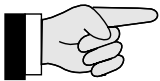
Diese Betriebsanleitung soll das Kennenlernen des Gerätes und den bestimmungsgemässen Einsatz erleichtern. Die Betriebsanleitung enthält wichtige Hinweise, wie das Gerät sicher, sachgerecht und wirtschaftlich einzusetzen ist. Das Einhalten der Hinweise hilft Gefahren vermeiden, Reparaturen und Ausfallzeiten vermindern sowie die Zuverlässigkeit und Lebensdauer des Gerätes zu erhöhen.



ACHTUNG!

Wird verwendet bei Gefahren, die Sachschäden verursachen können.

Die Betriebsanleitung muss am Einsatzort des Gerätes verfügbar sein. Sie ist von allen Personen zu lesen und anzuwenden, die mit dem Gerät arbeiten. Zu diesen Arbeiten zählen insbesondere die Bedienung, die Störungsbehebung und die Wartung.



HINWEIS!

Wird verwendet für allgemeine Hinweise und für Hinweise, bei deren Nichtbeachtung Störungen im Betriebsablauf entstehen können.

Neben der Betriebsanleitung und den im Verwenderland und an der Einsatzstelle geltenden Regelungen zur Unfallverhütung sind auch die anerkannten fachtechnischen Regeln für sicherheits- und fachgerechtes Arbeiten zu beachten.

2.1 HINWEIS ZUM UMWELTSCHUTZ

Für die Herstellung dieses Gerätes werden keine gesundheitsschädigenden physikalischen oder chemischen Stoffe verwendet. Für die Entsorgung sind die gültigen gesetzlichen Vorschriften zu berücksichtigen.

3

SICHERHEITSVORSCHRIFTEN



Informieren Sie sich!
Vor dem Gebrauch des Gerätes die Betriebsanleitung sorgfältig lesen.



Verwenden Sie nur Original-JOSEF KIHMBERG Klammern.



Schützen Sie sich!
Beim Arbeiten, Gehörschutz und Schutzbrille tragen.



Verwenden Sie nur Original-JOSEF KIHMBERG-Ersatzteile!
Die Verwendung von anderen als JOSEF KIHMBERG-Ersatzteilen schliesst Garantieleistungen und Haftpflicht aus.



Vorsicht: Quetschgefahr!
Finger nicht unter das Gerät halten.



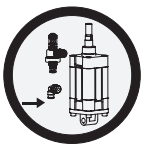
Achtung: Stolperstelle!
Druckluftschlauch so verlegen, dass sich keine Stolperstelle bildet.



Luftdruck nicht überschreiten!
Den vorgeschriebenen Luftdruck nicht überschreiten.

Bestimmungsgemässe Verwendung
Diese Heftzange ist zum Flachheften und für die Transportgutverpackung von weichem Material miteinander sowie von Stoff, Papier usw. bestimmt.

Diese Heftzange wurde zum sicheren Umgang während des Heftvorganges entwickelt.



Original Anschlusskupplungen verwenden!
Es dürfen nur Anschlusskupplungen verwendet werden, die den Sicherheitsvorschriften entsprechen.

Möglicher Missbrauch
Schiessen Sie niemals Klammern wenn sich kein Packgut zwischen Heftzunge und Klammerkopf befindet. Heftzange nur für die empfohlenen Materialien einsetzen.



Keine Gas- oder Druckluftflaschen verwenden!
Das Gerät darf nicht an eine Gas- oder Druckluftflasche angeschlossen werden.

Wartungsarbeiten
Je nach Arbeitsverhältnissen und Beanspruchung sind periodisch folgende Wartungsarbeiten durchzuführen:

- Tägliche Kontrolle des Luftdruckes (5,5–6,5 bar)
- Regelmässige Kontrolle der Wartungseinheit (Ölstand, Wasserabscheider, Filter)
- Heftzange regelmässig reinigen.
- Regelmässig den Zustand des Gerätes auf defekte oder abgenutzte Teile prüfen.

Arbeiten Sie nie mit einem Gerät, welches defekte oder abgenutzte Teile aufweist (siehe Kapitel 7.1 und 7.2).



Niemals eine geladenes Gerät unbeaufsichtigt lassen!
Trennen Sie das Gerät von der Luftzufuhr, wenn es nicht in Gebrauch ist.

4

BESCHREIBUNG

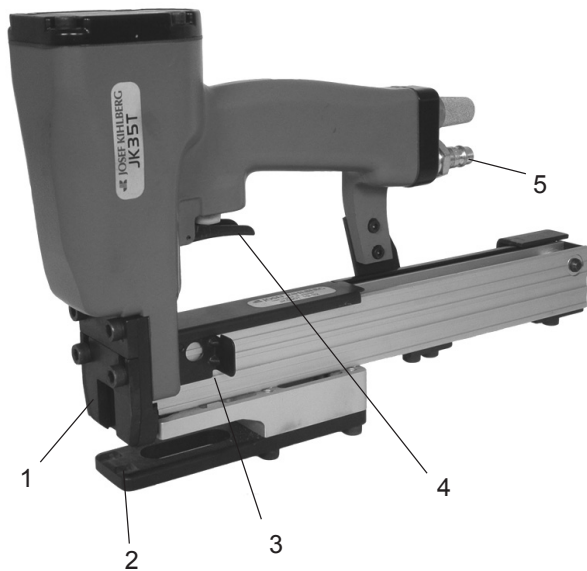


Fig. 1

4.1 AUFBAU

- 1 Abdeckplatte
- 2 Heftzunge
- 3 Schieber
- 4 Abzug
- 5 Druckluftanschluss

4.2 FUNKTIONSPRINZIP

Die Heftzunge JK35T hat nur Einzelfeuerung ohne Sicherheitsbügel.

1. Packgut zwischen Heftzunge und Klammerkopf legen,
2. und den Abzug (Fig. 1/4) ziehen.

Um Schäden am Gerät zu vermeiden, niemals Abzug betätigen ohne das ein Packgut zwischen Heftzunge und Klammerkopf liegt.

**Warnung:**

Vor dem Auslösen, sicherstellen dass sich keine Hand oder andere Körperteile unter/im Gerät befinden.

5

INBETRIEBNAHME

5.1 INBETRIEBNAHME

Die Heftzange wird ohne montierten Druckluftanschluss ausgeliefert. Druckluftanschluss folgendermassen montieren:

1. Heftzange aus Verpackung entfernen. Druckluftanschluss überprüfen, ob er mit dem Druckluftsystem übereinstimmt. Gewinde des Anschlusses (Fig. 2/1) mit Dichtmasse sichern.
2. Druckluftanschluss montieren. Anzugs-Drehmoment 7,5 Nm.




Druckluftschlauch so verlegen, dass sich keine Stolperstelle bilden kann.



Fig. 2

5.2 DRUCKLUFTAUFBEREITUNG

 Einwandfrei aufbereitete Druckluft ist Voraussetzung für einen störungsfreien Betrieb der Heftzange. Dies kann nur durch eine funktionssichere Wartungseinheit erfüllt werden, welche aus Wasserabscheider, Druckreduzierventil mit Manometer und Ölnebelgerät besteht.



Die lichte Weite der Leitung soll minimum 10 mm betragen. Es muss darauf geachtet werden, dass der Schlauch keine Schlaufen bildet, in welchen sich Öl sammeln kann.

Den maximal zulässigen Luftdruck von 7,0 bar niemals überschreiten. Niedriger Luftdruck führt zu niedrigen Wartungskosten!

Die Heftzange muss eine Kupplung aufweisen, die automatisch entlüftet wenn das Gerät vom Luftanschluss getrennt wird.

Die Heftzange benötigt einige Tropfen Schmieröl täglich oder einmal wöchentlich 10 Tropfen. Bei häufigem Einsatz wird das Verwenden eines Ölnebelgerätes empfohlen. Weden Sie sich bitte an Ihren Ansprechpartner.

733007 Schmieröl 0,2 dl. (Fig. 3/1)

Werkseitig sind die Gleitstellen mit dem Fett "Dow Corning grease MS 4 Silicon Compound" versehen. Wir empfehlen die Verwendung diese Fettes ebenfalls für Teile die neu zu ersetzen sind.

184943 Grease MS 4 Silicon Compound (Fig. 3/2)

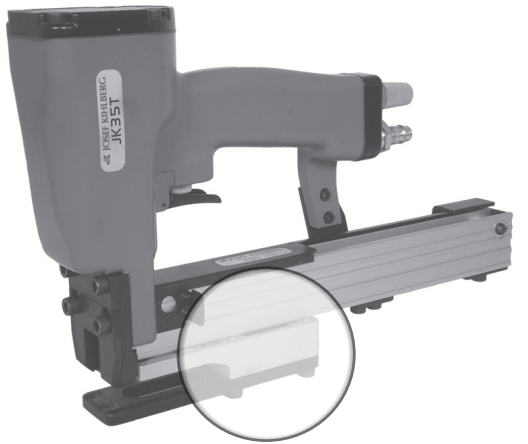


Fig. 3

6

BEDIENUNG

6.1 EINSTELLEN DER GERÄTEÖFFNUNG



Vor dem Anschliessen der Heftzange, sicherstellen dass das Gerät nicht auf Sie oder jemand anders gerichtet ist.

Während des Betriebs ist die Geräteöffnung (für Packgut) fest eingestellt. Gegebenenfalls kann der Spalt auf unterschiedliche Packgütdicken eingestellt werden. Zu diesem Zweck, sind dem Gerät Abstandhalter mit 3 und 6 mm Dicke sowie ein Satz längerer Schrauben beigelegt.

- Vier Zylinderschrauben (Fig. 4/1) lösen und entfernen.
- Packgutdicke messen und 1–2 mm dazu addieren.
- Geräteöffnung mit den Abstandhaltern 3 und 6 mm, gemäss oben gemessener Distanz einstellen
- Kontrolliere ob das Gerät leicht über das Packgut einzuführen ist.
- Heftung einstellen/kontrollieren, siehe Kapitel 7.4 und 7.5.

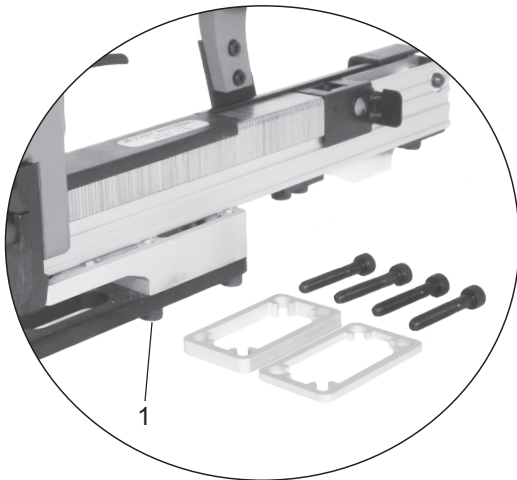


Fig. 4

6.2 MAGAZIN MIT KLAMMERN LADEN



Vor dem Anschliessen der Heftzange, sicherstellen dass das Gerät nicht auf Sie oder jemand anders gerichtet ist.

- Vor dem Laden der Klammern, Gerät an Druckluftversorgung anschliessen. Den maximal zulässigen Luftdruck von 7,0 bar niemals überschreiten.
- **Immer Josef Kihlberg Originalklammern JK590 mit Schenkellängen von 19–32 mm verwenden.** Der für das Gerät richtige Klammertyp ist oben auf dem Magazin angegeben. Sicherstellen, dass Sie die richtige Klammer-Schenkellänge für Ihre Anwendung verwenden.

1. Schieber (Fig. 5/1) ganz nach hinten schieben.
2. Zwei Klammerstreifen von oben (5/2) in das Magazin einsetzen.
3. Arretierstift (5/3) drücken und Schieber nach vorne zum Klammerstreifen führen.

6.3 BEDIENUNG DER HEFTZANGE

Stellen Sie keinen höheren Luftdruck ein als für das richtige Eintreiben der Klammern notwendig ist. Mit 5,0 bar beginnen, danach den Luftdruck um jeweils 0,5 bar erhöhen, bis der richtige Arbeitsdruck gefunden ist. Den maximal zulässigen Luftdruck von 7,0 bar niemals überschreiten.

Niedriger Luftdruck führt zu niedrigen Wartungskosten!



Stellen Sie sich vor dem Gebrauch des Gerätes immer in eine stabile aufgerichtete Position. Darauf achten, dass das Gerät niemals zu dicht an einer Kante oder schräg aufgesetzt wird. Dadurch wird ein Abprallen von Klammern vermieden.

- Das Gerät immer fest auf das Packstück aufsetzen. Niemals Klammern in sehr harte oder spröde Materialien eintreiben. Gerät nicht in einem zu steilen Winkel oder zu nahe am Rand des Packgutes einsetzen. Klammern könnten wegfliegen und jemand verletzen.



Warnung:
Vor dem Auslösen, sicherstellen dass sich keine Hand oder andere Körperteile unter/im Gerät befinden.

- Abzug betätigen, wie in Kapitel 4.2 beschrieben. Bewegen Sie die Heftzange seitlich, bis die notwendigen Klammern angebracht sind.
- **Heftung kontrollieren, siehe Kapitel 7.5.**

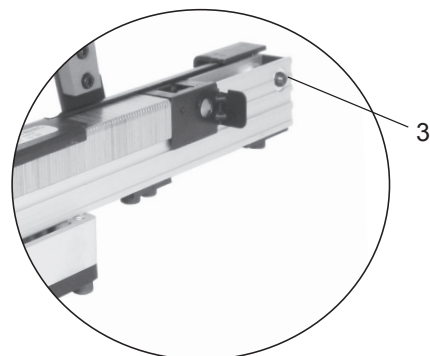
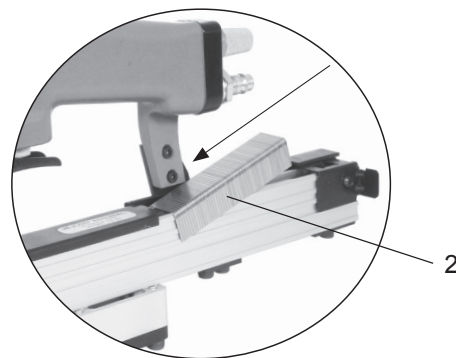
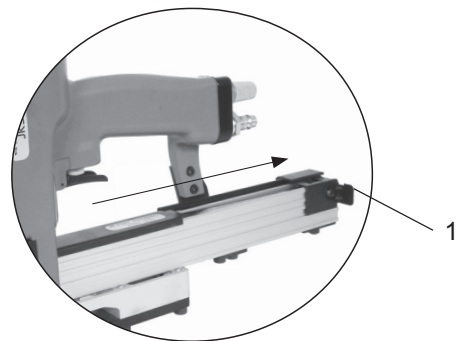
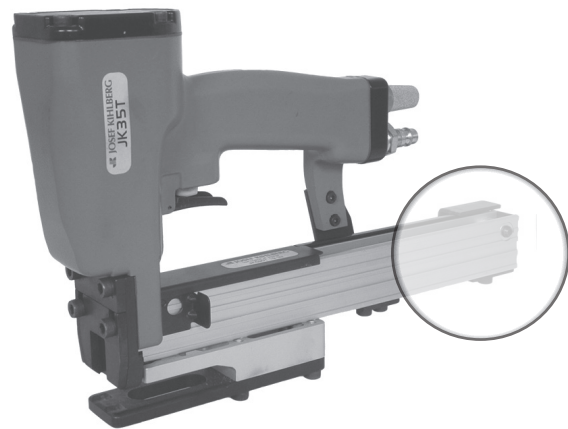


Fig. 5

7

WARTUNG UND INSTANDSETZUNG



Für alle Wartungs- und Instandsetzungsarbeiten, Heftzange von der Druckluftzufuhr trennen.

7.1 REINIGUNG

Diese Heftzange erfordert keine besondere Wartung. Regelmässig mit einem nicht-aggressiven (nicht korrosiven) Reinigungsmittel das Gerät reinigen. Für die Reinigung sind keine Teile zu entfernen!



Prüfen Sie täglich das ordnungsgemässe Funktionieren aller Sicherheitseinrichtungen. Besonders zu überprüfen sind:

- das der Abzug sich reibungslos bewegt und die Vorderplatte sowie der Magazindeckel sich nicht von selbst öffnen.
- dass alle Schrauben und Muttern korrekt angezogen sind.
- dass das Gerät wie in Kapitel 5.2 beschrieben, regelmässig geschmiert wird.

7.2 STECKENGEBLIEBENE KLAMMERN ENTFERNEN

Steckengebliebene Klammern folgendermassen entfernen:

- Die beiden Zylinderschrauben (Fig 6/1) zwei Umdrehungen lösen.
- Abdeckung (Fig. 7/1) von den Schrauben entfernen.
- Klammerresten von der Klammerführung entfernen.
- Die Montage erfolgt in umgekehrter Reihenfolge.

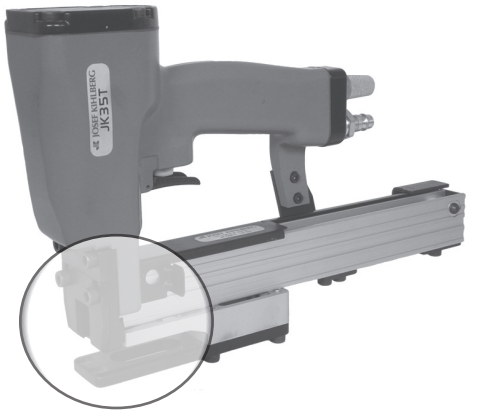


Fig. 6

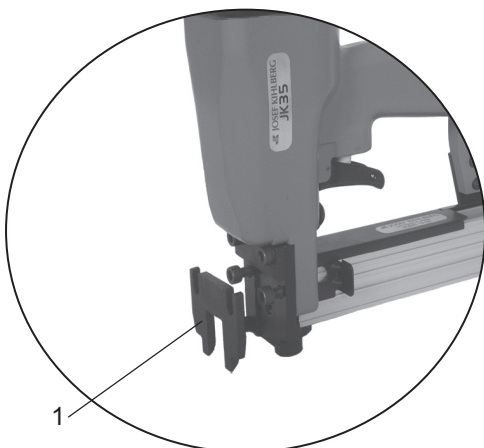


Fig. 7

7.3 ANTRIEBSSCHIENE ERSETZEN

- Gerät vom Luftanschluss trennen.
- Vier Zylinderschrauben (Fig. 8/1) lösen und Deckel entfernen.
- Zylinderdeckel (8/2) entfernen. Gerät auf den Kopf drehen und mit einem Stück Holz vorsichtig die Teile herausschlagen.
- Zylinder- und Kolbenteile demontieren.
- Antriebsschiene (8/3) ersetzen.
- Alle Teile und O-Ringe einfetten (Grease, Artikel-Nr. 184943).
- Zylinder- und Kolbenteile wieder montieren.
- Prüfen ob sich die Teile im Zylinder gut bewegen lassen.
- Zylinderdeckel (8/2) wieder montieren.
- Deckel mit den vier Zylinderschrauben (8/1) wieder montieren.

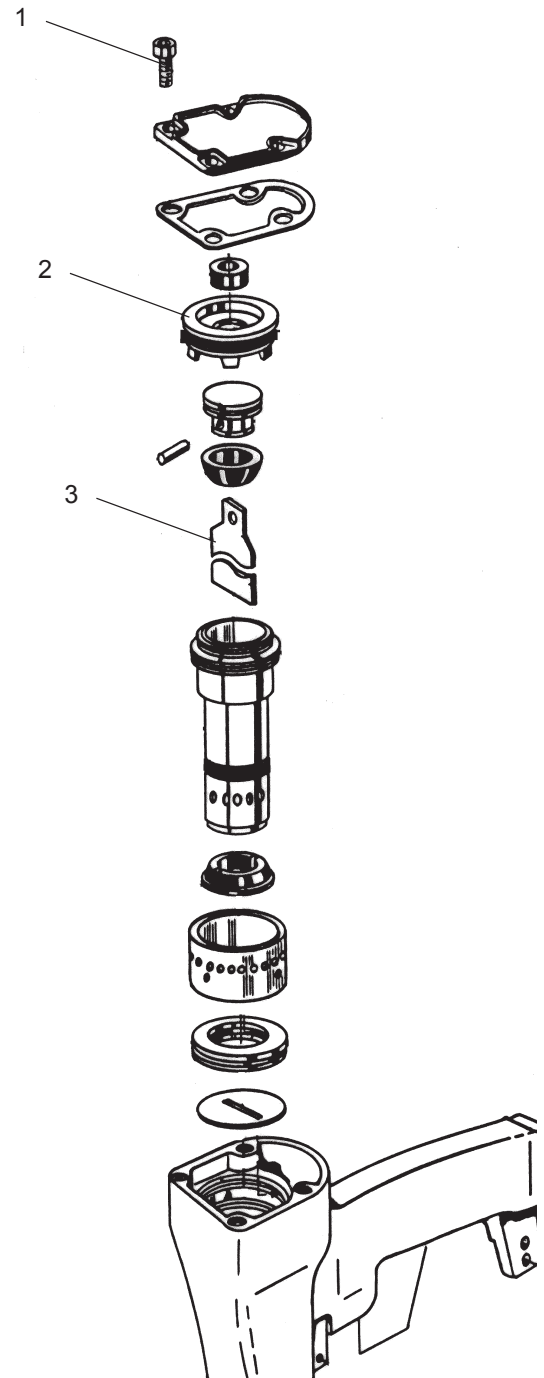


Fig. 8

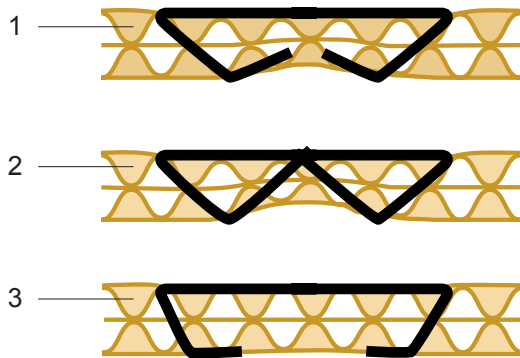


Fig. 9

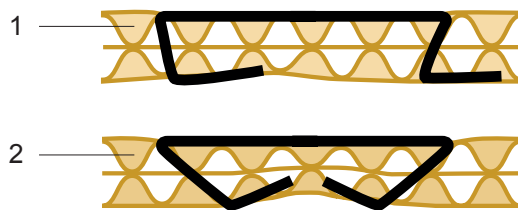


Fig. 10

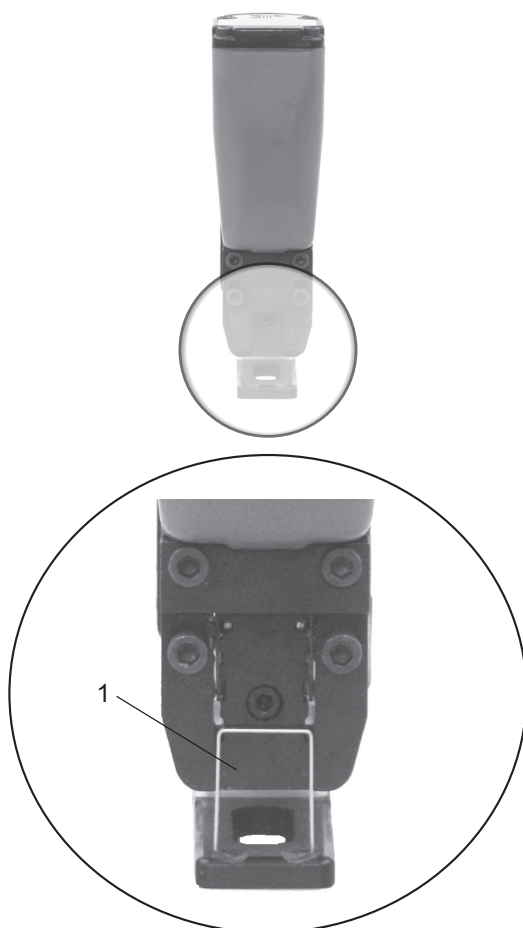


Fig. 11

7.4 HEFTUNG KONTROLLIEREN

- 1 **Gute Heftung**
- 2 Klammerschenkel zu lang.
- 3 Klammerschenkel zu kurz.



Immer Josef Kihlberg Originalklammern verwenden (JK590-19 bis 32 mm).

7.5 HEFTUNG EINSTELLEN

Jede Heftzange wird vor der Auslieferung sorgfältig geprüft. Durch grobe Behandlung während des Betriebs kann es sein, dass der Amboss neu angepasst werden muss. Eine unkorrekte Heftung (Fig. 10/1) kann dadurch auftreten.

- Zwei Zylinderschrauben lösen und Abdeckung entfernen.
- Legen Sie eine lose Klammer in den Amboss (Fig. 11/1).
- Vier Schrauben, auf der Rückseite des Amboss, eine 1/4 Umdrehung lösen. Klammer in den Amboss schieben. Zunge so einstellen, dass die Klammer die Ambossmulde symmetrisch trifft.
- Die Vier Schrauben wieder festziehen.
- Abdeckung wieder montieren.
- Eine Test-Heftung in einem Stück Karton anbringen. Wenn der Amboss richtig eingestellt ist, muss die Heftung aussehen wie in Fig. 10/2.

8

STÖRUNGSBEHEBUNG



Für Störungsbehebung zuerst die Heftzange von der Druckluftzufuhr trennen.

STÖRUNG	BEHEBUNG
Beim Betätigen des Abzuges werden keine Klammern ausgestossen	<ul style="list-style-type: none">– Kontrollieren ob Original-Klammern verwendet werden.– Immer Josef Kihlberg Originalklammern verwenden.– Kontrollieren ob die Magazinfeder in Ordnung ist. Nötigenfalls ersetzen.– Kontrollieren ob der Schieberkolben in Ordnung ist. Nötigenfalls ersetzen.– Schmutz in der Klammerbahn beseitigen.– Luftdruck zu tief. Luftdruck einstellen (siehe Kapitel 6.3).
Ungenügende Eintreibkraft. Die Klammern dringen nicht genügend tief ein	<ul style="list-style-type: none">– Luftdruck einstellen (siehe Kapitel 6.3).– Wurde das Gerät regelmässig geschmiert? Siehe auch Kapitel 5.2.– Längere Antriebsschiene einbauen.
Geräuschpegel ist zu hoch	<ul style="list-style-type: none">– Luftdruck einstellen (siehe Kapitel 6.3).– Überprüfen ob das Packgut fest gehalten wird. Vibration kann hohen Geräuschpegel verursachen.
Steckengebliebene Klammer entfernen	<ul style="list-style-type: none">– Siehe Kapitel 7.2.

FRANCAIS

TABLE DES MATIÈRES

	Page
1 Données techniques	35
2 Instructions générales	36
2.1 Remarque relative à la protection de l'environnement	36
3 Instructions de sécurité	37
4 Description	38
4.1 Modules principaux	38
4.2 Fonctionnement	38
5 Mise en service	39
5.1 Mise en service	39
5.2 Raccordement pneumatique	39
6 Mode d'emploi	40
6.1 Ajustement de l'ouverture	40
6.2 Chargement du magasin avec agrafes	41
6.3 Mode d'emploi pour l'appareil	41
7 Instruction de service	38
7.1 Enlèvement d'une agrafe bloquée	38
7.2 Remplacer le chargeur d'agrafes	38
7.3 Remplacer le rail d'entraînement	39
7.4 Contrôler l'agrafage	40
7.5 Réglage de l'agrafage	40
8 Dépannage	41
9 Jeu de pièces détachées	46
10 Pièces de rechange recommandées	47
Vue éclatée	49

SE JOSEF KIHMBERG AB

Industrigatan 37B

SE-544 50 HJO

Telephone: +46 503 328 00
 Fax: +46 503 328 01
 E-mail: reception@kihlberg.se
 Internet: www.kihlberg.com

1

DONNÉES TECHNIQUES

Poids	2,7 kg
Encombrement	Longueur 335 mm Largeur 65 mm Hauteur 220 mm
Capacité du chargeur	100 agrafes
Largeur de branche des agrafes	19–32 mm
Protrusion	0 mm
Écartement	65 mm
Ouverture de l'appareil	12–27 mm
Pression d'utilisation recommandée de l'air comprimé	5,5–6,5 bar
Pression d'air (max)	7 bar (100 psi)
Consommation d'air comprimé à 6 bar	0,85 litres
Valeurs selon: EN 12549	
Niveaux de pression acoustique, évaluation type A à la place de travail	94 dB
Niveau énergétique, évaluation de type A	103 dB
Intensité de vibration:	La valeur de vibration est située au-dessous de la limite donnée dans la déclaration de conformité EN 792-13, mesurée selon ISO 8662-11

AGRAFES

Agrafe JK590-19 (3/4")	Art.No 400517
Agrafe JK590-22 (7/8")	Art.No 400518
Agrafe JK590-25 (1")	Art.No 400519
Agrafe JK590-32 (1 1/4")	Art.No 400521

DÉCLARATION DE CONFORMITÉ



Nous déclarons sous notre propre responsabilité que l'appareil JK35T590 A ci-dessus, au sujet duquel se réfère cette déclaration, est conforme avec les prescriptions en vigueur de la directive du conseil du 17 mai 2006 (2006/42/CE) "Directive pour machines".
 Normes considérées: ISO 12100:2010

SE-544 50 HJO, 06.05.2020

Plant Manager:

Thor-Björn Elmers

Le responsable pour la publication de la documentation technique: Josef Kihlberg AB, Industrigatan 37B, SE-544 50 HJO

2

INSTRUCTIONS GÉNÉRALES

Ces instructions de service doivent faciliter la connaissance de l'appareil et les possibilités d'utilisation selon les règles. Les instructions de service contiennent d'importants renseignements, à savoir comment l'appareil doit fonctionner en toute sécurité, selon les critères professionnels et d'une manière économique. Les respecter aide à éviter les dangers, à diminuer les réparations et les temps d'arrêt et à augmenter la fiabilité de l'appareil et sa durée de vie.

Les instructions de service doivent constamment être à disposition sur le lieu d'utilisation de l'appareil. Elles doivent être lues et appliquées par toutes les personnes qui sont chargées de travaux sur l'appareil. Ces travaux comprennent en particulier le service, l'alimentation des consommables, l'élimination des pannes et l'entretien.

En plus des instructions de service et des règlements pour la protection contre les accidents valables dans le pays et à l'endroit d'utilisation, il faut également appliquer les règles de sécurité techniques pour un travail professionnel et en sécurité.



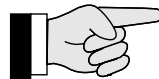
PRUDENCE!

Utilisé si risque de mort ou d'atteinte à la santé.



ATTENTION!

Utilisé si risque de casse matérielle.



REMARQUE!

Utilisé pour les remarques générales et pour les remarques qui, si on ne les respecte pas, entraînent des perturbations de fonctionnement.

2.1 REMARQUE RELATIVE À LA PROTECTION DE L'ENVIRONNEMENT

Cet appareil est fabriqué sans aucun matériau nuisible pour la santé. L'élimination de cet appareil doit être effectuée en respectant les lois nationales.

3

INSTRUCTIONS DE SÉCURITÉ



Renseignez-vous!
Avant l'utilisation de l'appareil, consultez soigneusement le mode d'emploi.



N'utilisez que des agrafes d'origine Josef Kihlberg!



Protégez-vous!
Au cours du travail, porter des protections acoustiques et de lunettes de protection.



N'utilisez que des pièces de rechange d'origine Josef Kihlberg!
En cas contraire Josef Kihlberg peut refuser les prestations de garantie.



Prudence: danger d'écrasement!
Ne pas laisser les doigts sous l'appareil.

Utilisation conforme

Cette agrafeuse est conçue pour agraffer à plat et pour l'emballage de transport de matériaux mous ensemble ainsi que des étoffes, papier etc.



Attention: danger de trébucher!
Déplacer le tuyau d'air comprimé de manière à ce qu'il ne présente aucun danger de trébucher.

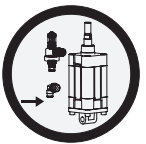
Cette agrafeuse a été développée pour un maniement sûr au cours du processus d'agrafage.



La pression d'air comprimé ne doit pas être supérieure!
La pression d'air comprimé recommandée ne doit pas dépasser.

Utilisation abusive

N'éjectez jamais des agrafes lorsqu'il n'y a pas de colis entre la languette et la tête d'agrafage. Utiliser l'agrafeuse uniquement pour les matériaux recommandés.



Employez toujours un raccord d'air!
Employez toujours un accouplement de sûreté comme raccord d'air.

Travaux de maintenance

Suivant les conditions de travail et les contraintes, les travaux de maintenance périodiques suivants sont à effectuer:

- contrôle quotidien de la pression d'air comprimé (5,5–6,5 bar)
 - contrôle régulier de l'unité de maintenance (niveau d'huile, collecteur d'eau, filtres)
 - nettoyer l'appareil régulièrement
 - vérifier régulièrement l'état de l'appareil à propos d'éventuelles déficiences ou de pièces usées.
- Ne travaillez jamais avec un appareil présentant des pièces défectueuses ou usées (chapitre 7.1 et 7.2).



Bouteilles gaz ou d'air comprimé interdites!
Interdiction de branchement de l'appareil à une bouteille de gaz ou d'air comprimé.



Ne jamais laisser un appareil chargé sans surveillance!
Séparez l'appareil de l'amenée d'air comprimé lorsque ce dernier n'est pas utilisé.

4

DESCRIPTION

4.1 MODULES PRINCIPAUX

- 1 Plaque frontale
- 2 Anvil
- 3 Poussoir
- 4 Gâchette
- 5 Raccordement d'air comprimé

4.2 FONCTIONNEMENT

L'agrafeuse JK35T possède seulement un déclenchement unique sans étrier de sécurité.

1. Poser l'appareil contre le colis,
2. et tirer la gâchette (Fig. 1/4).

Afin d'éviter des dégâts à l'appareil, ne jamais actionner la gâchette sans qu'un colis ne se trouve entre la languette d'agrafage et la tête d'agrafage.

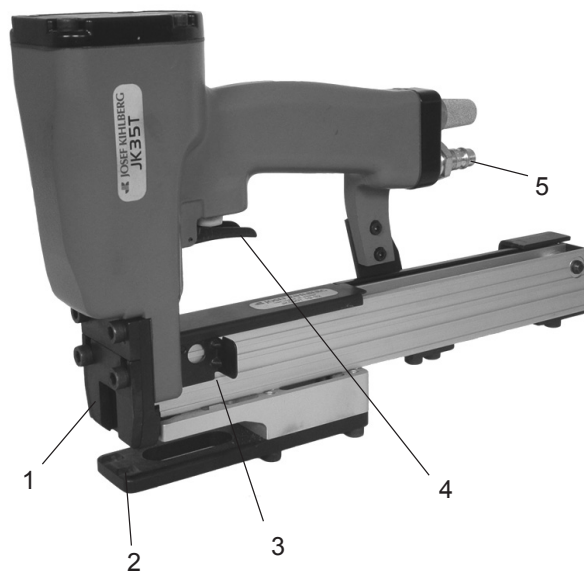


Fig. 1



Avertissement:
Avant le déclenchement, il faut s'assurer qu'aucune main ou une autre partie du corps ne se trouve sous l'appareil.

5

MISE EN SERVICE



Fig. 2



Fig. 3

5.1 MISE EN SERVICE

L'agrafeuse est livrée sans raccord d'air comprimé installé. Installer le raccord de la manière suivante:

1. Sortir l'agrafeuse de l'emballage. Vérifier le raccord d'air comprimé pour voir s'il correspond avec le système d'air comprimé. Sécuriser le filetage du raccord (Fig. 2/1) avec un composant pour joints.
2. Monter le raccord pneumatique. Couple de montage 7,5 Nm.



Déplacer le tuyau d'air comprimé de manière à ce qu'il ne présente aucun danger de trébucher.

5.2 RACCORDEMENT PNEUMATIQUE



Par conséquent, la condition impérative pour un fonctionnement fiable de l'appareil est une alimentation sans défaillances en air comprimé traité. Cette condition n'est remplie que par l'utilisation d'une unité de traitement composée d'un déshumidificateur, d'une soupape de réduction de pression, d'un manomètre et d'un dispositif de créat on de brouillard d'huile.

Le trou du tuyau doit être au minimum de 10 mm. Il faut veiller à ce que le tuyau ne fasse pas de boucles dans lesquelles de l'huile pourrait stagner.



Ne jamais dépasser la pression maximale autorisée de 7,0 bar. Une pression d'air plus faible a pour conséquence des frais de maintenance plus avantageux!

L'agrafeuse nécessite un raccord qui se purge automatiquement lorsque l'appareil est séparé du raccord pneumatique.

L'agrafeuse nécessite quelques gouttes d'huile de lubrification quotidiennement ou une fois 10 gouttes hebdomadairement. En cas d'utilisation intensive, un brumisateuse à huile est recommandé. Adressez-vous à votre fournisseur attitré.

733007 Huile de lubrification 0,2 dl (Fig. 3/1)

Les parties coulissantes sont prévues d'usine avec de la graisse "Dow Corning grease MS 4 Silicon Compound". Nous recommandons l'utilisation de cette graisse également pour les composants qui sont nouvellement remplacés.

184943 Grease MS 4 Silicon Compound (Fig. 3/2)

6

MODE D'EMPLOI

6.1 AJUSTEMENT DE L'OUVERTURE



Avant le raccordement de l'agrafeuse, il faut s'assurer que cette dernière n'est pas dirigée contre vous ou quelqu'un d'autre.

En cours de fonctionnement l'ouverture est verrouillée. Au besoin, l'écart peut être adapté selon l'épaisseur de l'emballage. Des entretoises (3 mm et 6 mm d'épaisseur) et un jeu de vis adéquat sont fournis.

- Dévissez les 4 vis cylindriques (Fig. 4/1).
- Mesurez l'épaisseur de l'emballage et ajoutez-y 1–2 mm.
- Ajustez l'ouverture à l'aide des entretoises de 3 et 6 mm selon l'écart mesuré.
- Vérifiez si l'emballage s'insère facilement dans la pinceagrafeuse.
- Réglage et vérification de l'agrafage voir chapitre 7.4 et 7.5.

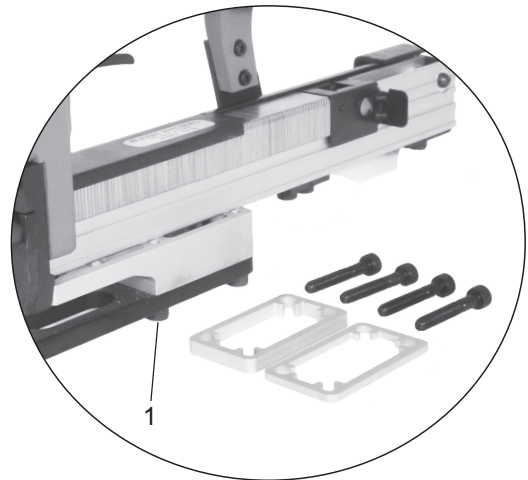
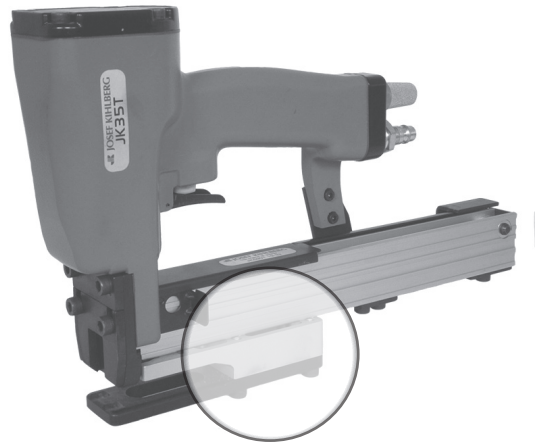


Fig. 4

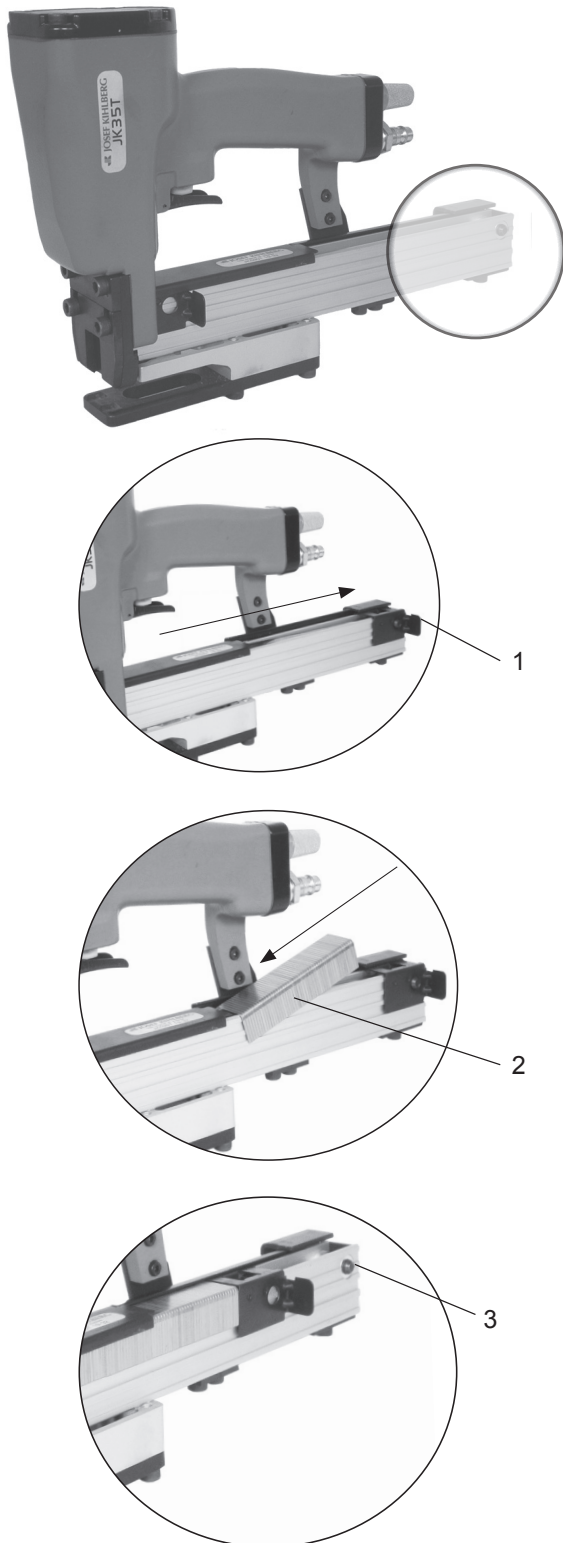


Fig. 5

6.2 CHARGEMENT DU MAGASIN AVEC AGRAFES



Avant le raccordement de l'agrafeuse, il faut s'assurer que cette dernière n'est pas dirigée contre vous ou quelqu'un d'autre.

- Avant de charger des agrafes, raccorder l'appareil à la conduite d'air comprimé. La pression maximale admissible de 7,0 bar ne doit jamais être franchie.
- **Toujours utiliser des agrafes d'origine Josef Kihlberg JK590 avec des dimensions de 19–32mm.**

Le type d'agrafe adéquat pour l'appareil est indiqué sur la partie droite du chargeur. Le type d'agrafe pour ce modèle est indiqué en haut du chargeur. Il faut s'assurer que vous utilisez la dimension d'arête adéquate pour votre application.

1. Positionnez le poussoir au bout (Fig. 5/1).
2. Insérez par le haut deux barres d'agrafe dans le chargeur (5/2).
3. Appuyez sur le doigt d'indexage et avancez le poussoir jusqu'à la barre d'agrafe (5/3).

6.3 MODE D'EMPLOI POUR L'APPAREIL

N'ajustez pas de pression pneumatique plus élevée que celle nécessaire pour chasser correctement les agrafes. Commencer avec 5,5 bar, puis augmenter la pression pneumatique par pas de 0,5 bar jusqu'à ce que la pression de travail soit trouvée. Ne jamais dépasser la pression pneumatique autorisée de 7,0 bar. Une pression basse entraîne des frais de maintenance plus avantageux.



Avant l'utilisation de l'appareil, placez-vous toujours suivant une position redressée et stable.

Faire attention que l'appareil ne soit jamais placé trop fortement sur un bord ou en biais. Ceci permet d'éviter un ricochet des agrafes.

- Toujours plaquer fermement l'appareil sur le colis. Ne jamais chasser des agrafes dans des matériaux très durs ou cassants. Ne jamais placer l'appareil sous un angle trop aigu ou trop près du bord du colis. Des agrafes pourraient s'échapper et blesser quelqu'un.



Avertissement:

Avant le déclenchement, s'assurer qu'aucune main ou une autre partie du corps ne se trouve sous l'appareil.

- Actionner la gâchette selon la description du chapitre 4.2. Déplacez l'agrafeuse latéralement jusqu'à ce que les agrafes nécessaires soient fixées.

- **Contrôler l'agrafage, voir chapitre 7.5.**

7

INSTRUCTION DE SERVICE



En tous cas d'entretien l'outil est d'abord à débrancher de l'air comprimé.

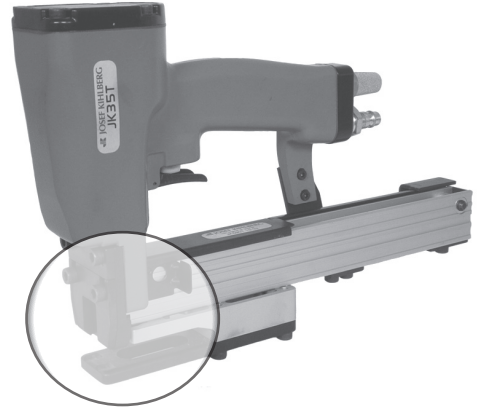
7.1 NETTOYAGE

Cette agrafeuse pour fonds et côtés de cartons ne nécessite pas de maintenance particulière. Nettoyer la machine régulièrement avec un détergent non agressif (non corrosif). Les petites pièces doivent être retirées pour le nettoyage!



Vérifier quotidiennement le fonctionnement correct de tous les dispositifs de sécurité. Il faut tout particulièrement vérifier:

- que la gâchette se déplace sans frottement et que la plaque frontale de même que le couvercle du chargeur ne s'ouvre pas de manière intempestive.
- que toutes les vis et les écrous sont serrés correctement.
- que l'appareil tel que décrit dans le chapitre 5.2 est lubrifié régulièrement.



7.2 ENLÈVEMENT D'UNE AGRAFE BLOQUÉE

Éliminer les agrafes coincées de la manière suivante:

- Dévissez les deux vis cylindriques (Fig. 6/1).
- Séparez le couvercle des vis (Fig. 7/1).
- Enlevez les agrafes coincées.
- Le montage se fait en sens inverse du démontage.

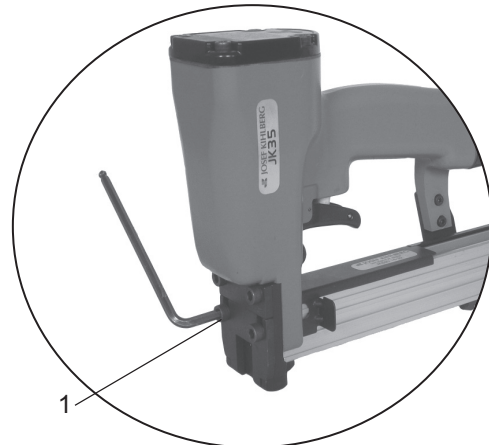


Fig. 6

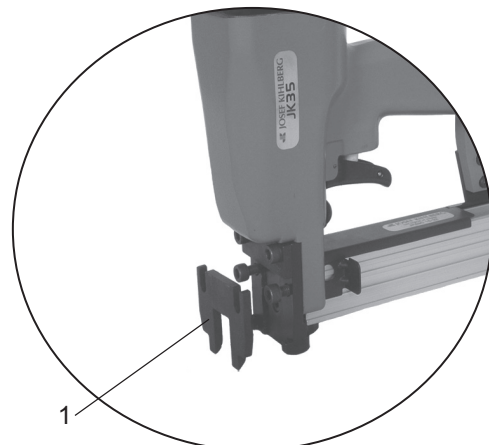


Fig. 7

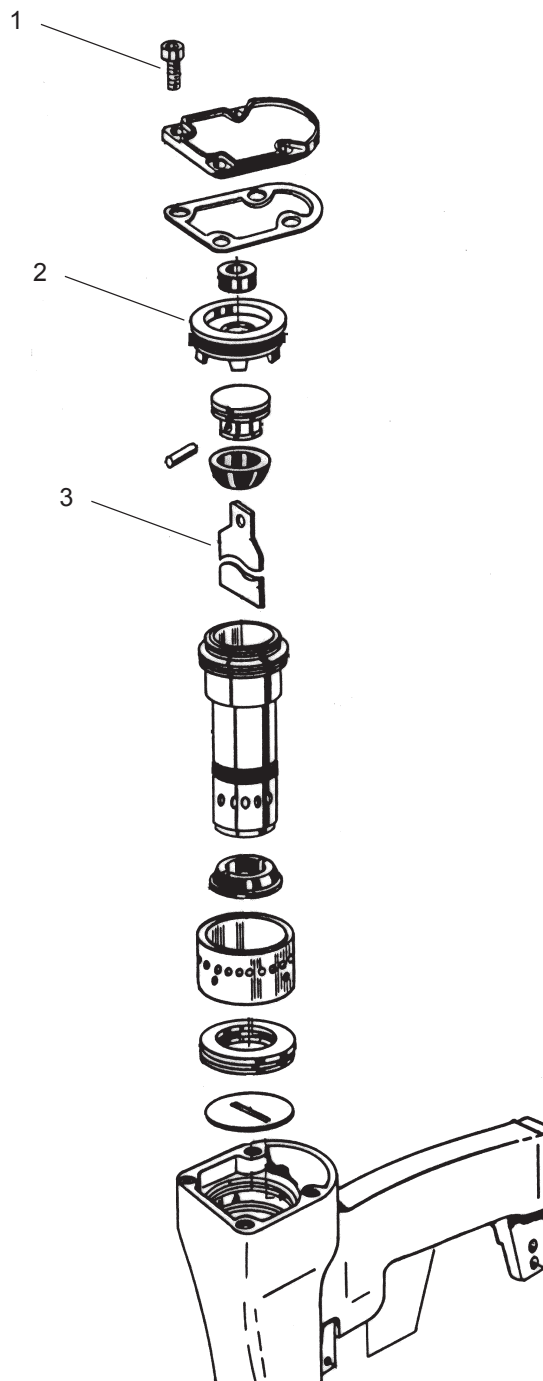


Fig. 8

7.3 REMPLACER LE RAIL D'ENTRAÎNEMENT

- Déconnecter l'air comprimé.
- Dévissez les 4 vis cylindriques et enlevez le couvercle (Fig. 8/1).
- Enlevez le couvercle de cylindre (8/2). Positionnez la pince agrafeuse à l'envers et sortez les pièces avec précaution à l'aide d'un marteau et d'un bout de bois.
- Démontez les pièces du cylindre et du piston.
- Echangez le rail d'entraînement (8/3).
- Graissez toutes les pièces, y compris les joints toriques (Grease, n° d'art.: 184943).
- Assemblez les pièces du cylindre et du piston.
- Vérifiez si dans le cylindre l'ensemble de pièces fonctionne parfaitement.
- Remontez le couvercle de cylindre (8/2).
- Fixez le couvercle avec les vis cylindriques (8/1).

7.4 CONTRÔLER L'AGRAFAGE

- 1 Agrafage correct
- 2 Largeur d'agrafe trop grande
- 3 Largeur d'agrafe trop petite



N'utiliser que des agrafes d'origine Josef Kihlberg (JK590-19 jusqu'à 32mm)

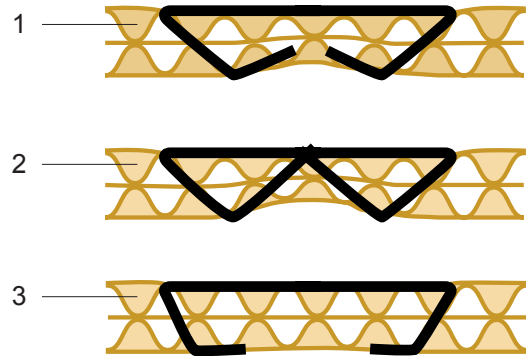


Fig. 9

7.5 RÉGLAGE DE L'AGRAFAGE

Chaque pince d'agrafage est soigneusement vérifiée avant la livraison. En raison d'une utilisation peu soignée au cours de l'utilisation, il est possible que l'enclume doive à nouveau être ajustée. Un agrafage incorrect (Fig. 10/1) peut alors survenir.

- Dévissez les deux vis cylindriques et enlevez le couvercle.
- Disposez une agrafe dans l'enclume (Fig. 11/1).
- Désserrez les quatre vis, situées au dos de l'enclume, d'un quart de tour.
- Ajustez la languette d'une telle manière à ce que l'agrafe s'insère parfaitement dans le creux de l'enclume.
- Resserrez les quatre vis.
- Remontez le couvercle.
- Effectuer un test d'agrafage dans un morceau de carton. Lorsque l'enclume est correctement ajustée, l'agrafage doit avoir la même allure que la Fig. 10/2.

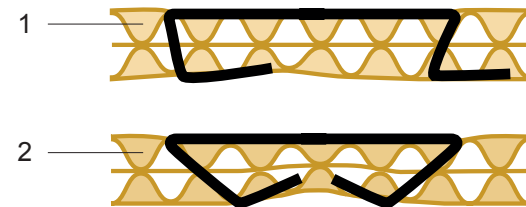


Fig. 10

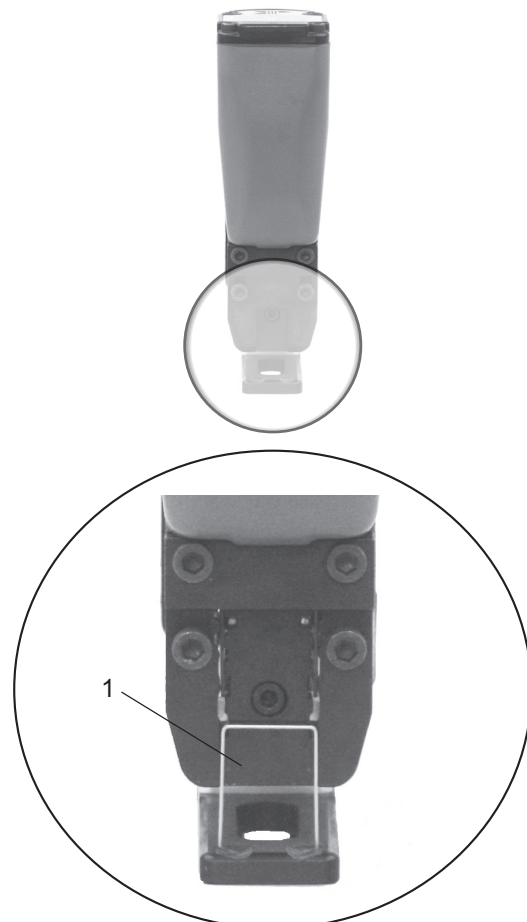


Fig. 11

8

DÉPANNAGE

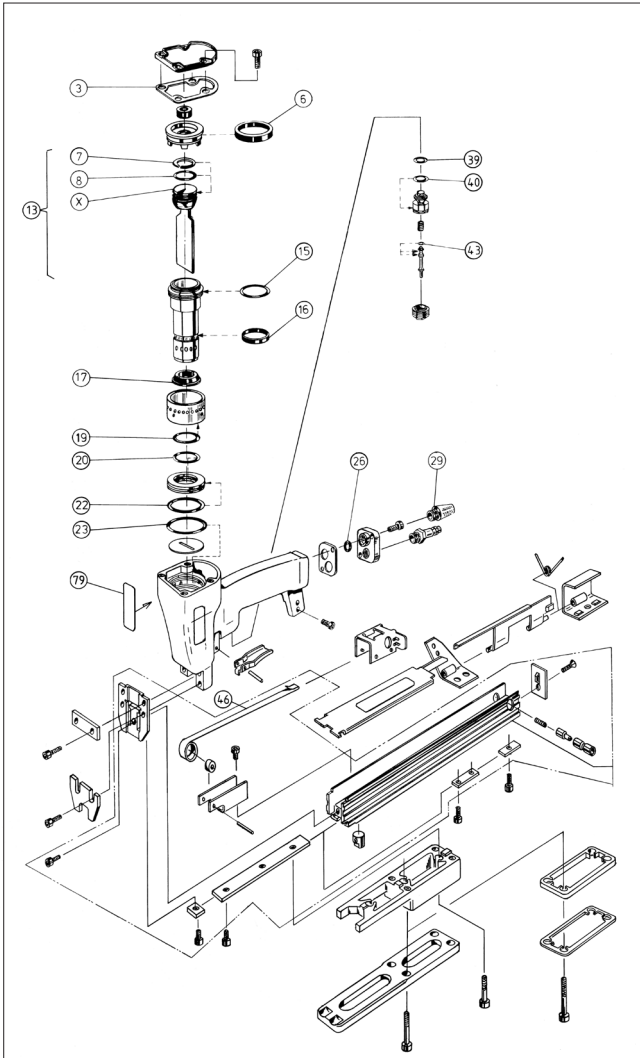


En tous cas dépannage l'outil est d'abord à déraccorder de l'air comprimé.

PANNE	INTERVENTION
Les agrafes ne sont pas éjectées lors de l'activation de la gâchette	<ul style="list-style-type: none"> – Contrôler sur des agrafes originales sont employées. – Toujours utiliser des agrafes d'origine Josef Kihlberg – Contrôler si le ressort du chargeur est en ordre. Remplacer le cas échéant. – Contrôler si le piston de la glissière est en ordre. Remplacer le cas échéant. – Eliminer la poussière du guide des agrafes. – Pression pneumatique trop faible. Régler la pression de l'air comprimé (voir chapitre 6.3).
Force d'enfoncement insuffisante. Les agrafes ne pénètrent pas suffisamment profondément	<ul style="list-style-type: none"> – Ajuster la pression pneumatique (voir chapitre 6.3). – L'appareil a-t-il été lubrifié régulièrement? Voir également chapitre 5.2. – Monter un rail d'entraînement plus long.
L'outil fail trop de bruit	<ul style="list-style-type: none"> – Ajuster la pression pneumatique (voir chapitre 6.3). – Vérifier si le colis est bien maintenu. La vibration peut provoquer un niveau de bruit important.
Enlèvement d'une agrafe bloquée	<ul style="list-style-type: none"> – voir chapitre 7.2.

9

SPARE PARTS KIT / RESERVDELAR SOM DELAR / ERSATZTEIL-SET / JEU DE PIÈCES



O-ring Kit 143049

Pos.	Part No. Artikelnr.	Part Name	Benämning	Antal Qty.
3	148034	Packning	Gasket	1
6	148040	Tätningring	Seal	1
7	972110	Glidring	Glide ring	1
8	972119	O-ring	O-ring	2
15	972115	O-ring	O-ring	1
16	148035	Tätningring	Seal for back valve	1
19	972118	O-ring	O-ring	1
20	972117	O-ring	O-ring	1
22	972116	O-ring	O-ring	1
23	972114	O-ring	O-ring	2
26	972058	O-ring	O-ring	1
39	972030	O-ring	O-ring	1
40	972039	O-ring	O-ring	1
43	972121	O-ring	O-ring	1
	184943	O-ring grease	JK silicon compound	1

Repair Kit 143050

Pos.	Part No. Artikelnr.	Part Name	Benämning	Antal Qty.
3	148034	Packning	Gasket	1
6	148040	Tätningring	Seal	1
7	972110	Glidring	Glide ring	1
8	972119	O-ring	O-ring	2
13	134243	Kolv kpl.	Piston cpl.	1
15	972115	O-ring	O-ring	1
16	148035	Tätningring	Seal for back valve	1
17	149087	Kolvdämpare nedre	Bumper lower	1
19	972118	O-ring	O-ring	1
20	972117	O-ring	O-ring	1
22	972116	O-ring	O-ring	1
23	972114	O-ring	O-ring	2
26	972058	O-ring	O-ring	1
29	971003	Ljuddämpare	Sound absorber	1
39	972030	O-ring	O-ring	1
40	972039	O-ring	O-ring	1
43	972121	O-ring	O-ring	2
46	174057	Frammatarfjäder	Feed spring	1
	184943	O-ring grease	JK silicon compound	1

10

		Parts list JK35T590	JK35T590	JK35T590	
		When ordering please indicate part number	Vid beställning var vänlig ange artikelnummerna	Bei Bestellungen immer Artikel-Nr. angeben	
Pos.	Part No. Artikelnr. Artikel-Nr.	Part Name	Benämning	Benennung	Quantity Antal Stückzahl
1	946657	Screw	Skruv	Zylinderschraube	4
2	179084	Cap	Topplöck	Deckel	1
3	148034	Gasket	Packning	Dichtung	1
4	149044	Compression washer	Kompressionsbricka	Druckscheibe	1
5	150337	Cylinder cap	Lock för cylinderfoder	Zylinderdeckel	1
6	148040	Seal	Tätningring	Dichtring	1
7	972110	Slip ring	Glidring	Gleitring	2
8	972119	O-ring	O-ring	O-ring	2
X	134243	Piston	Kolv	Kolben	1
*13	134243	Piston with driver	Kolv kpl. med drivare	Kolben mit Treiber	1
14	190159	Cylinder	Cylinderfoder	Zylinder	1
15	972115	O-ring	O-ring	O-ring	1
16	148035	Seal for back valve	Tätningring backventil	Dichtring	1
17	149087	Lower bumper	Kolvdämpare nedre	Unterer Dämpfer	1
18	150295	Cage	Hylsa	Käfig	1
19	972118	O-ring	O-ring	O-ring	1
20	972117	O-ring	O-ring	O-ring	1
21	150294	Cylinder ring	Mellanring	Kolbenring	1
22	972116	O-ring	O-ring	O-ring	1
23	972114	O-ring	O-ring	O-ring	2
24	147093	Bottom washer	Bottenbricka	Scheibe	1
25	148033	Gasket	Packning	Dichtung	1
26	972058	O-ring	O-ring	O-ring	1
27	179058	Cap	Anslutningslock	Deckel	1
28	946512	Screw	Skruv	Zylinderschraube	2
29	971003	Sound absorber	Ljuddämpare	Schalldämpfer	1
30	987026	Nipple	Insticksnippel	Druckluftanschluss	1
31	946699	Screw	Skruv	Zylinderschraube	4
32	162694	Front nozzle plate	Främre drivarstyrning	Vordere Platte	1
33	162692	Rear nozzle plate	Bakre drivarstyrning	Hintere Platte	1
34	946511	Screw	Skruv	Zylinderschraube	2
35	165040	Trigger	Avtryckare	Abzug	1
36	945039	Tension pin	Spännstift	Stift	1
37	162695	Door	Dörr	Abdeckung	1
38	946657	Screw	Skruv	Zylinderschraube	1
39	972030	O-ring	O-ring	O-ring	1
40	972039	O-ring	O-ring	O-ring	1
41	191084	Valve cage	Ventilhylsa	Ventilkäfig	1
42	173066	Spring	Fjäder	Druckfeder	1
43	972121	O-ring	O-ring	O-ring	2
44	191153	Valve stem	Ventilspindel	Ventilschaft	1
45	146102	Nut	Mutterl	Mutter	1
46	174057	Feeder spring	Frammatarfjäder	Magazinfeder	1
47	161247	Pusher	Frammatore	Schieber	1
48	150291	Spring center	Fjädercentrum	Federbüchse	1
49	946702	Screw	Skruv	Zylinderschraube	1
50	156946	Spring house	Fjäderhus	Federgehäuse	1
51	145134	Schaft for springroller	Axel för fjäderrulle	Stift	1
52	174058	Spring	Fjäder	Feder	1
53	135145	Cover holder	Fäste laddnings lucka	Deckelhalter	1
54	134194	Cover	Laddningslucka	Deckel	1
55	134244	Staple shield	Täckplåt	Klammerdeckel	1
56	946663	Screw	Skruv	Senkschraube	1
57	160124	Pusher stop	Frammatarstopp	Platte	1
58	173052	Lock spring	Låsfjäder	Druckfeder	1

* Recommended wear parts

* Rekommenderade slitedelar

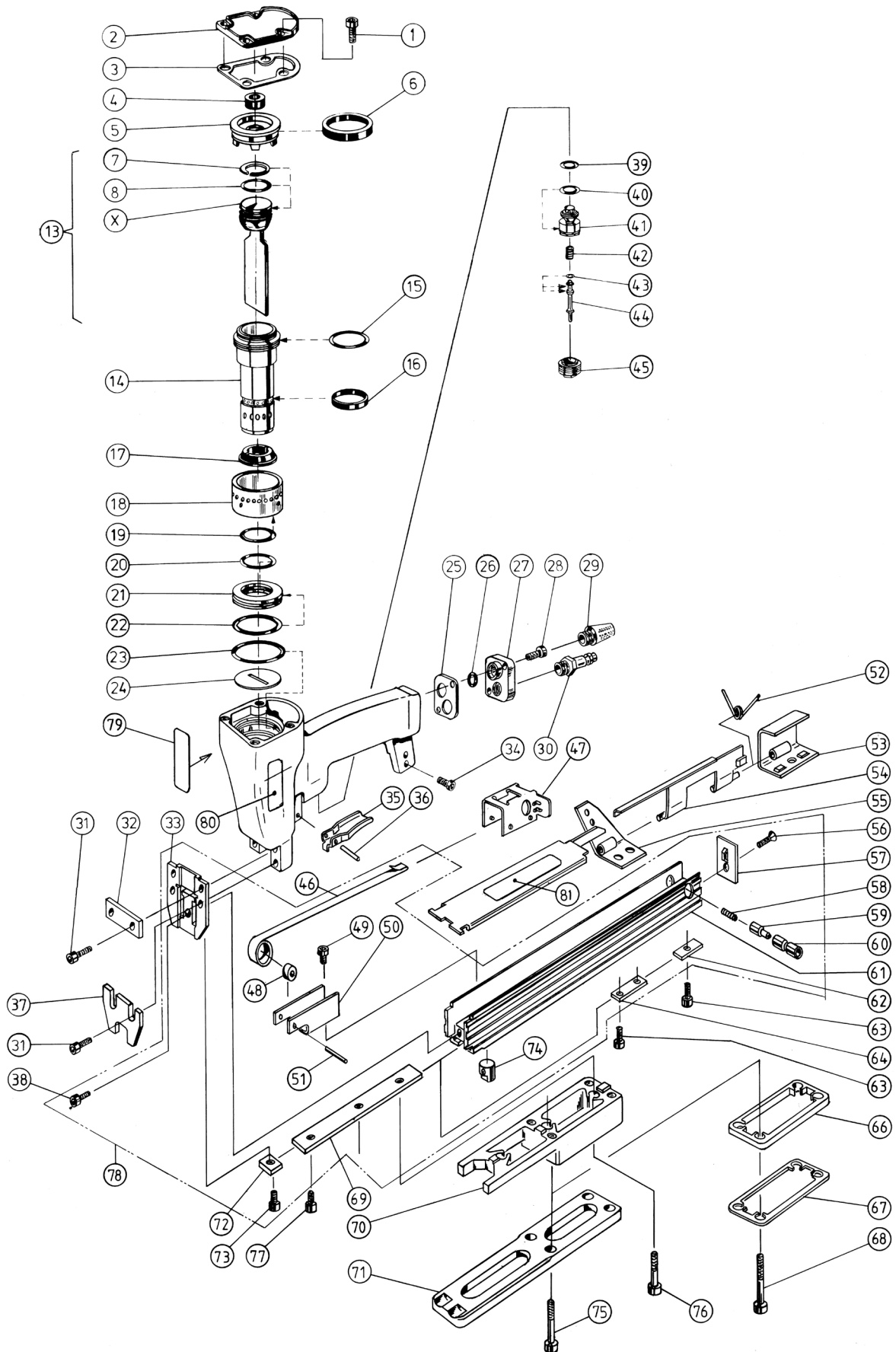
* Empfohlene Verschleissteile

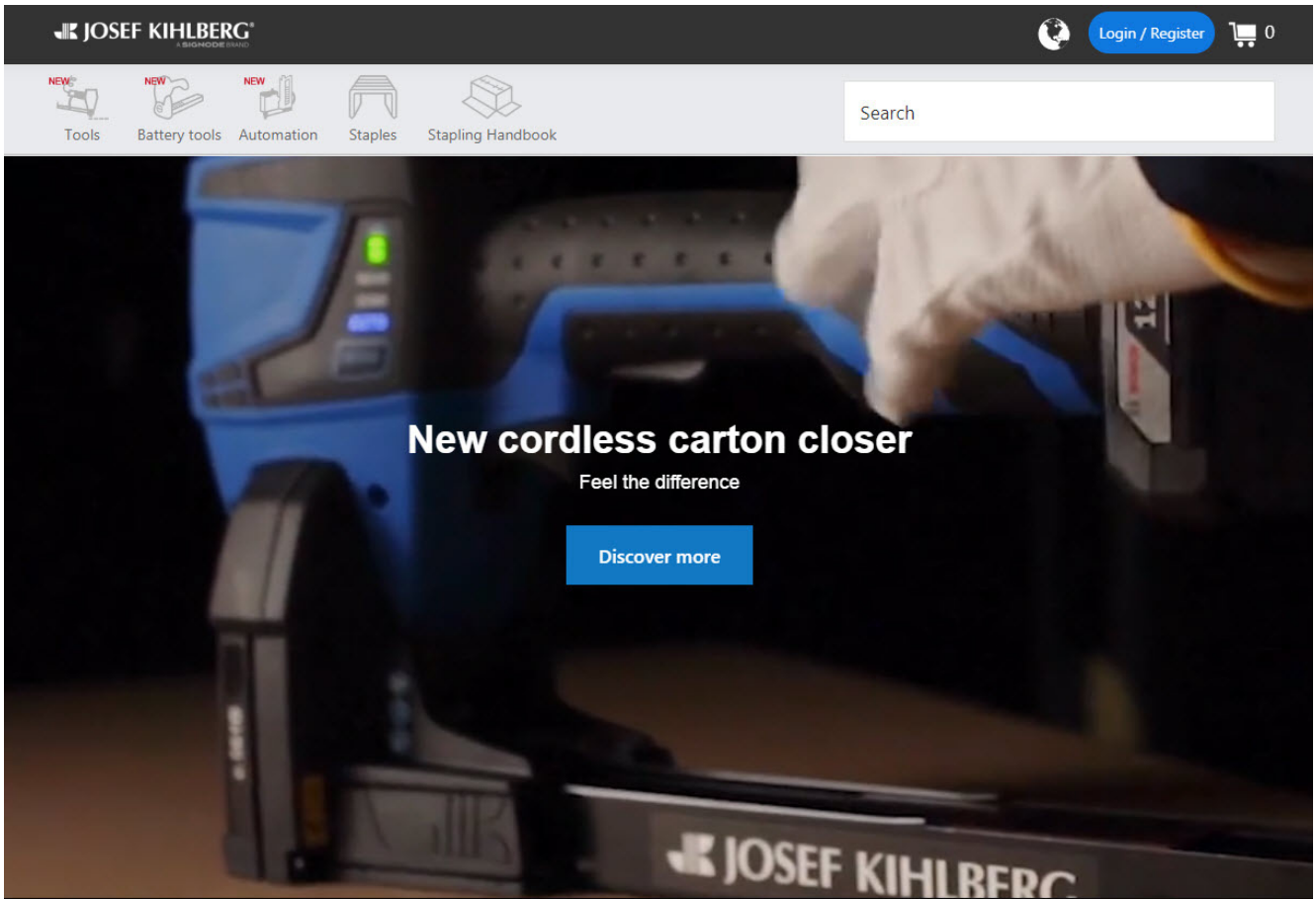
Pos.	Part No. Artikelnr. Artikel-Nr.	Part Name	Benämning	Benennung	Quantity Antal Stückzahl
59	160123	Lock piston	Låskolv	Stift	1
60	150311	Lock cage	Spärrhylsa	Büchse	1
61	162687	Rail	Klammerbana	Führung	1
62	146202	Nut	Plattjärnmutter	Mutter	1
63	946697	Screw	Skruv	3	
64	146201	Nut	Plattjärnmutter	Mutter	1
66	150325	Distance plate 6 mm	Mellanlägg 6 mm	Abstandhalter 6 mm	1
67	150326	Distance plate 3 mm	Mellanlägg 3 mm	Abstandhalter 3 mm	1
68	946516	Screw	Skruv	Zylinderschraube	4
69	146213	Nut	Plattjärnmutter	Mutter	1
70	176018	Bracket	Fäste för tunga	Konsole	1
71	158248	Tongue	Tunga	Zunge	1
72	146212	Nut	Plattjärnmutter	Mutter	1
73	946700	Screw	Skruv	Zylinderschraube	1
74	146211	Nut	Mutter	Mutter	1
75	946699	Screw	Skruv	Zylinderschraube	4
76	946538	Screw	Skruv	Zylinderschraube	1
77	946714	Screw	Skruv	Zylinderschraube	1
78	132296	Rail	Klammerbana komplett	Führung	1
79	110074	Warning label	Varningsskylt	Warnschild	1
80	110342	Label	Skylt	Schild	1
81	110360	Magazine label	Magasinsskylt	Mazinschild	1

* Recommended wear parts

* Rekommenderade slitedelar

* Empfohlene Verschleissteile





Manufacturer / Customer service

Josef Kihlberg AB
Industrigatan 37B
544 50 Hjo, SWEDEN
signode.com



(or local service center)

© Josef Kihlberg AB 2020