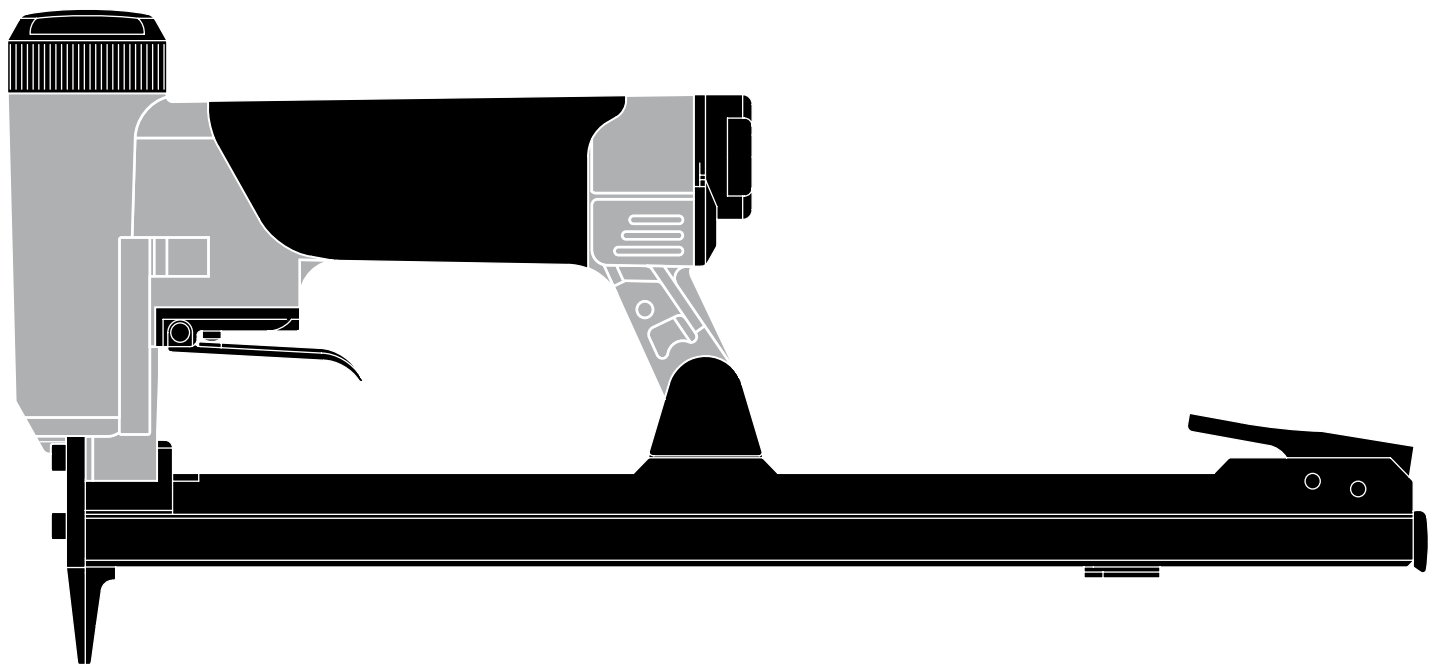


SENCO®

SFT10XP

Double Length Fine Wire Stapler

Parts Chart



NFE06S-DL Revised May 29, 2012 (Replaces 10/28/11) © 2012 by SENCO Brands, Inc. Cincinnati, Ohio 45245—U.S.A.

Verpa Senco BV
Pascallaan 88
8218 NJ LELYSTAD
The Netherlands
EMEA Website: www.senco-emea.com

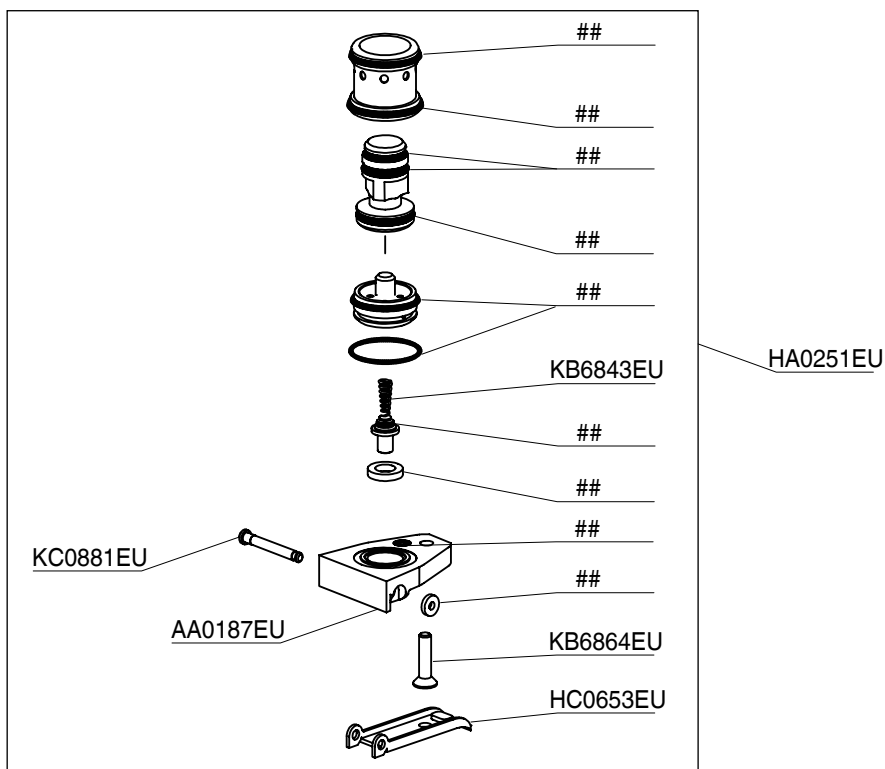
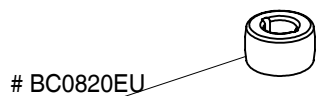
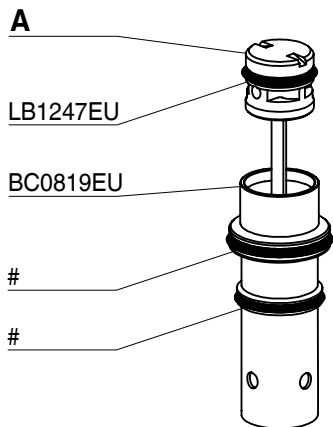
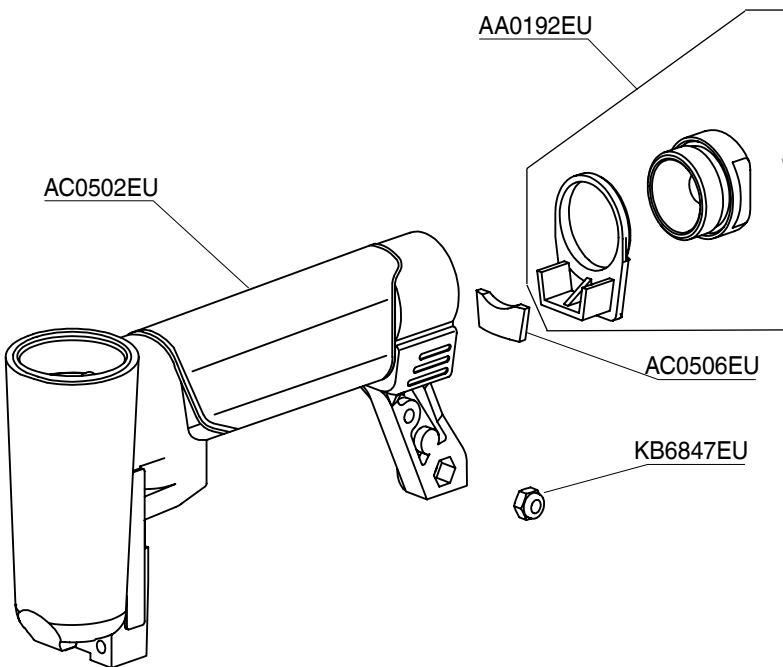
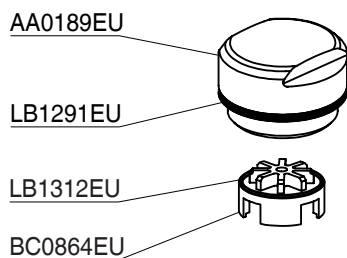
SFT10XP Double Length Fine Wire Stapler

SENCO

- * Does Not Include O-rings
- * No incluye sellos de gomas
- * Ohne Dichtringe
- * Joints exclus

Contents of YK0802EU Kit

Contents of YK0803EU Kit

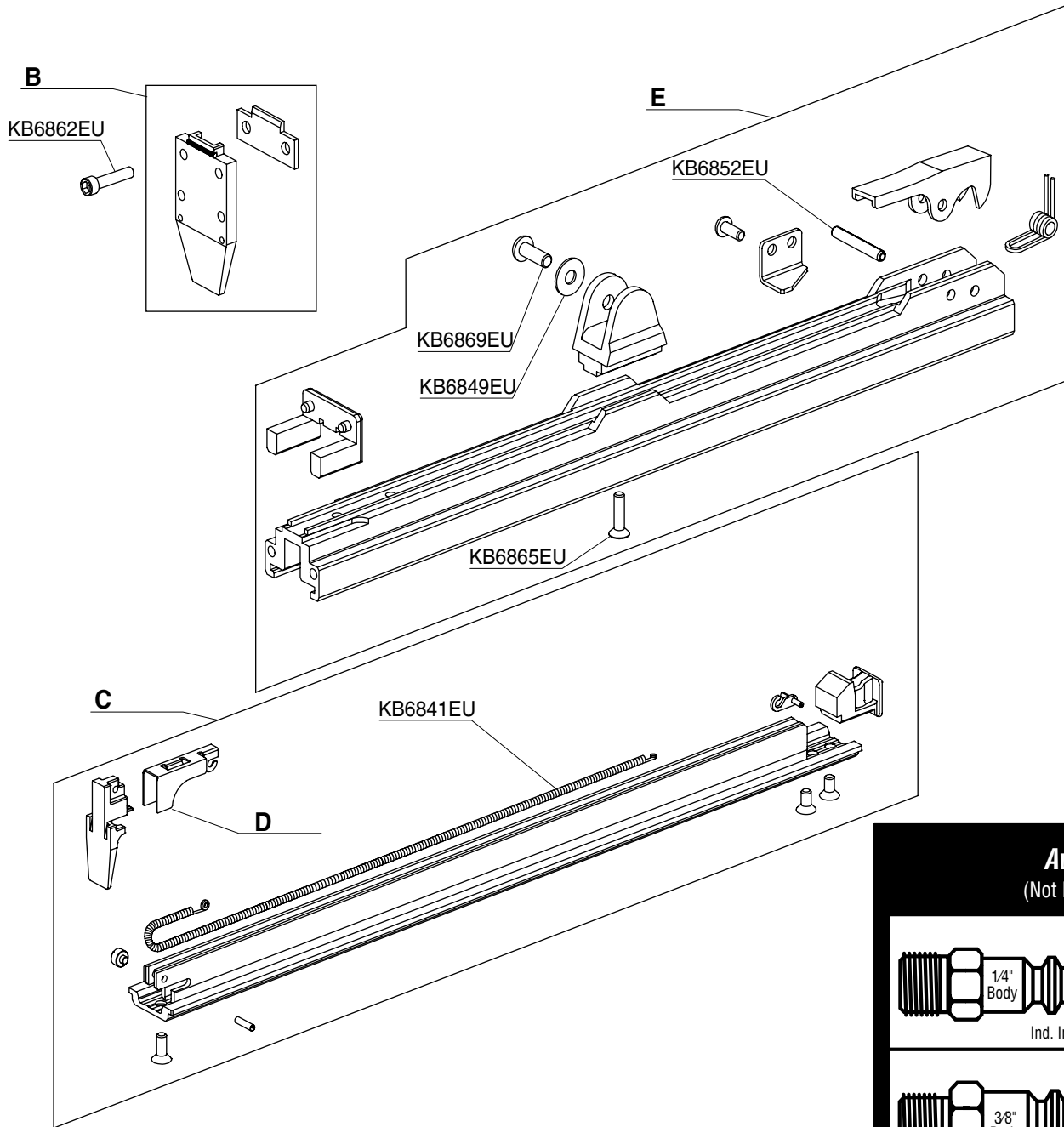


Tool #
 6S2211N B (EU)
 6S2221N C (EU)
 6S2241N F (EU)

EU DESIGNED PARTS CAN BE DIFFERENT

SFT10XP Double Length Fine Wire Stapler

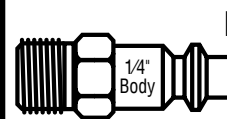
SENCO



EU DESIGNED PARTS CAN BE DIFFERENT

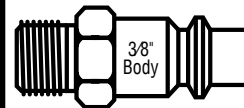
Model	A	B	C	D	E
B	EA0245EU	FA0286EU	GA0594EU	GC1360EU	GA0585EU
C	EA0244EU	FA0282EU	GA0579EU	GC1359EU	GA0582EU
F	EA0283EU	FA0288EU	GA0594EU	GC1360EU	GA0585EU

Available Plugs (Not Included with Tool)



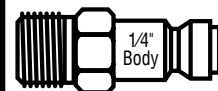
PC0479 ✓

Ind. Interchange 1/4" NPT



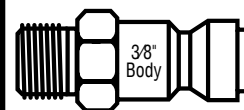
PC0486

Ind. Interchange 1/4" NPT



PC0468 ✓

Tru-Flate 1/4" NPT



PC0474

Tru-Flate 1/4" NPT

✓ **Recommended Plugs**
Plugs shown smaller than actual size

SFT10XP Double Length Fine Wire Stapler

REPLACEMENT PARTS LIST • LISTA DE PARTES DE REPUESTO • ERSATZTEILE-LISTE • LISTE DE PIÈCES DE RECHANGE

PART NO.	DESCRIPTION	DESCRIPCIÓN	BESCHREIBUNG	DÉSIGNATION
AA0187EU	TRIGGER PLATE ASY	GATILLO PLACA	AUSLÖSER PLATTE	GACHETTE PLAQUE
AA0189EU	CAP ASY	TAPA	KAPPE	BOUCHON
AA0192EU	CAP ASY	TAPA	KAPPE	BOUCHON
AC0502EU	MAINBODY	CARCASA	GEHÄUSE	CORPS
AC0506EU	MUFFLER	SILENCIADOR	DÄMPFER	SILENCIEUX
BC0819EU	CYLINDER SLEEVE	CILINDRO	ZYLINDER	CYLINDRE
BC0820EU	BUMPER	AMORTIGUADOR	PUFFER	AMORTISSEUR
BC0864EU	VALVE	VÁLVULA	VENTIL	VALVE
EA0244EU	PISTON DRIVER ASY (C)	PISTÓN/ACCIONADOR	KOLBEN/TREIBER	PISTON/MOTEUR
EA0245EU	PISTON DRIVER ASY (B)	PISTÓN/ACCIONADOR	KOLBEN/TREIBER	PISTON/MOTEUR
EA0283EU	PISTON DRIVER ASY (F)	PISTÓN/ACCIONADOR	KOLBEN/TREIBER	PISTON/MOTEUR
FA0282EU	FRONT PLATE ASY (C)	PLACA	PLATTE	PLAQUE
FA0286EU	FRONT PLATE ASY (B)	PLACA	PLATTE	PLAQUE
FA0288EU	FRONT PLATE ASY (F)	PLACA	PLATTE	PLAQUE
GA0579EU	RAIL ASY (C)	ASAMBLE DE CARRIL	SCHIENE-ZUSAMMENBAU	RAIL D'ASSEMBLÉE
GA0582EU	MAGAZINE ASY (C)	ASAMBLE DE CARGADOR	MAGAZIN-ZUSAMMENBAU	MAGASIN D'ASSEMBLÉE
GA0585EU	MAGAZINE ASY (B,F)	ASAMBLE DE CARGADOR	MAGAZIN-ZUSAMMENBAU	MAGASIN D'ASSEMBLÉE
GA0594EU	RAIL ASY (B,F)	ASAMBLE DE CARRIL	SCHIENE-ZUSAMMENBAU	RAIL D'ASSEMBLÉE
GC1359EU	FEEDER SHOE (C)	ALIMENTADOR	NAGELSCHIEBER	POUSSOIR
GC1360EU	FEEDER SHOE (B,F)	ALIMENTADOR	NAGELSCHIEBER	POUSSOIR
HA0251EU	TRIGGERING ASY	ASAMBLE DE GATILLO	AUSLÖSER-ZUSAMMENBAU	GACHETTE D'ASSEMBLÉE
HC0653EU	TRIGGER	GATILLO	AUSLÖSER	GÂCHETTE
KB6841EU	SPRING	RESORTE	FEDER	RESSORT
KB6843EU	SCREW	TORNILLO	SCHRAUBE	VIS
KB6847EU	NUT	TUERCA	MUTTER	ÉCROU
KB6849EU	WASHER	ARANDELA	SCHEIBE	RONDELLE
KB6852EU	PIN	PASADOR	STIFT	GOUPILLE
KB6862EU	SCREW	TORNILLO	SCHRAUBE	VIS
KB6864EU	SCREW	TORNILLO	SCHRAUBE	VIS
KB6865EU	SCREW	TORNILLO	SCHRAUBE	VIS
KB6869EU	PIN	PASADOR	STIFT	GOUPILLE
KC0881EU	PIN	PASADOR	STIFT	GOUPILLE
LB1291EU	O-RING	SELLO	DICHTUNG	JOINT
LB1312EU	O-RING	SELLO	DICHTUNG	JOINT