



SNS50XP

Heavy Wire Stapler



Parts Reference Guide Guía de referencia de piezas Pièces Guide de référence

Schematic Drawings Inside
Plano esquemático en el interior
Schéma intérieur

Repair Kits
YK0375

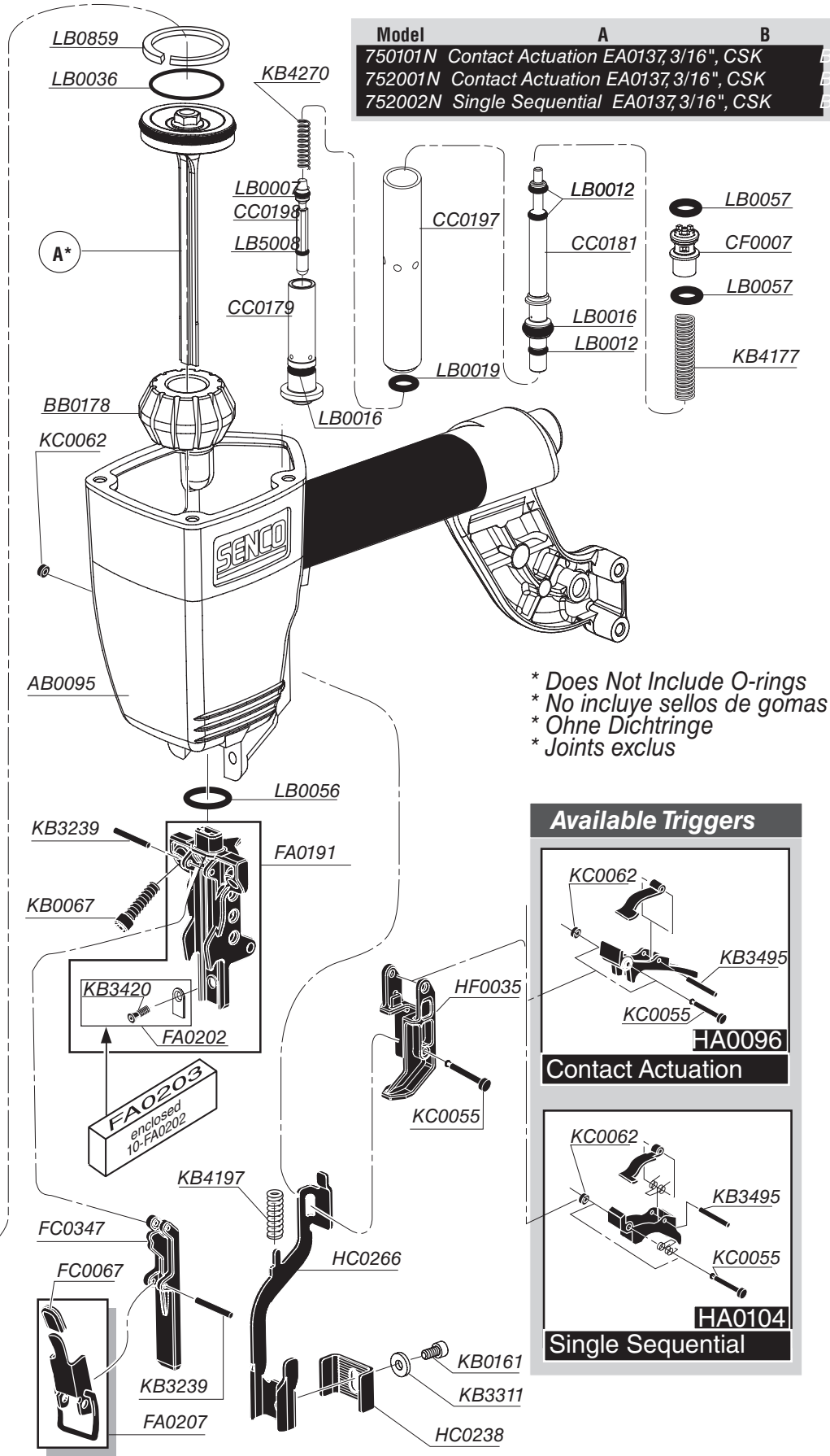
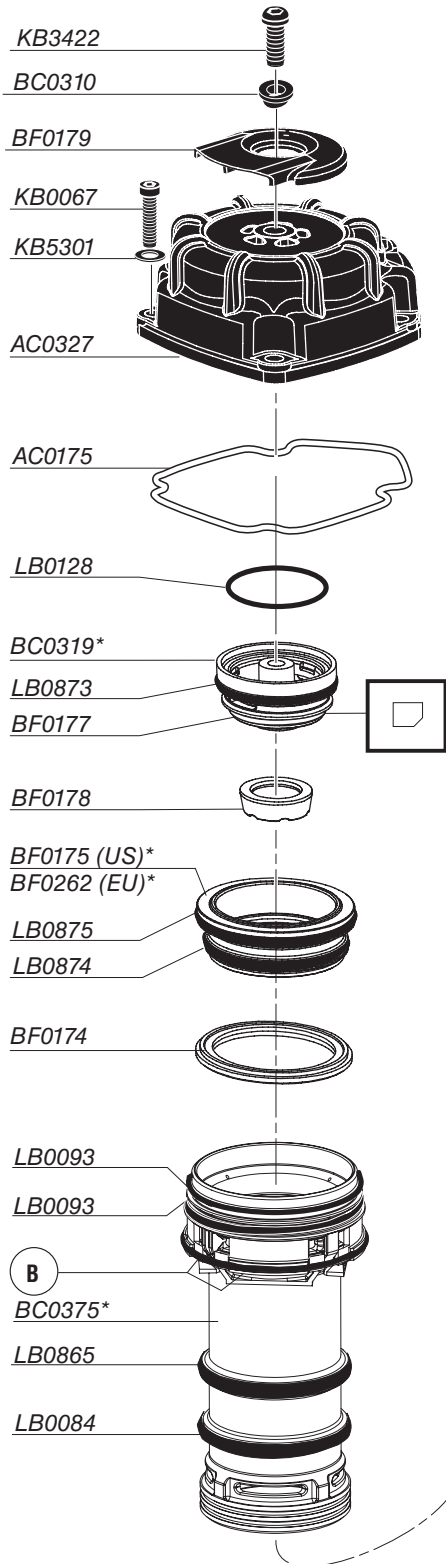
SENCO®

NFG075 • Revised January 29, 2019 (Replaces 15/7/2011)

Questions? Comments? call SENCO's toll-free Action-Line: 1-800-543-4596
(North and South America Only) or email: toolprof@senco.com

¿Tiene preguntas? ¿Comentarios? Llame a la línea gratuita de acción de Senco: 1-800-543-4596
(sólo para América del Norte y del Sur) o envíe un correo electrónico: toolprof@senco.com

Des questions? Des commentaires? Communiquez avec le service d'assistance sans frais de Senco : 1-800-543-4596
(Amérique du Nord et Amérique du Sud seulement) ou envoyez un courriel: toolprof@senco.com



| Model | A | B |
|---------|-------------------|--------------------|
| 750101N | Contact Actuation | EA0137, 3/16", CSK |
| 752001N | Contact Actuation | EA0137, 3/16", CSK |
| 752002N | Single Sequential | EA0137, 3/16", CSK |

* Does Not Include O-rings
 * No incluye sellos de gomas
 * Ohne Dichtringe
 * Joints exclus

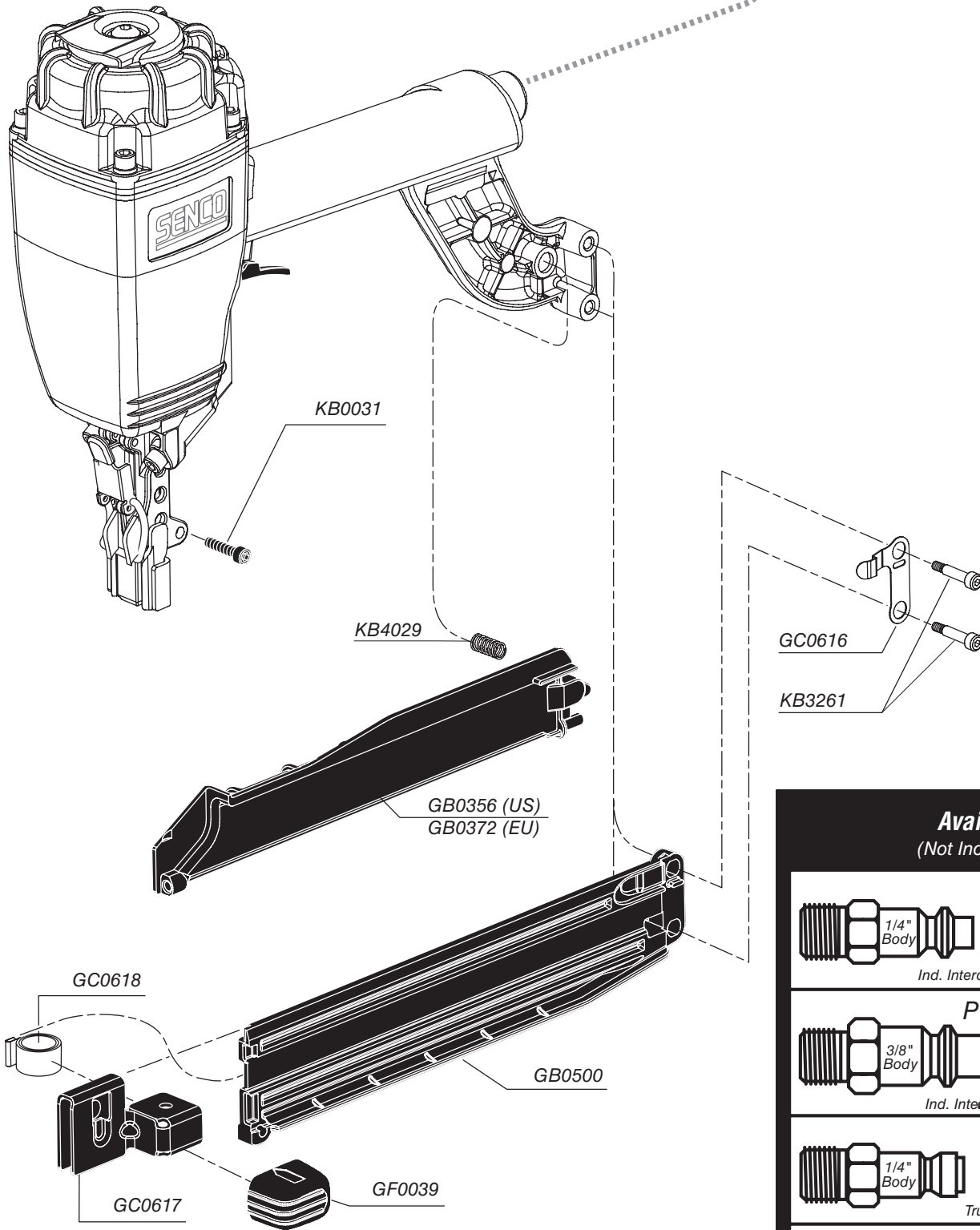
Available Triggers

HA0096
Contact Actuation

HA0104
Single Sequential

Heavy Wire Stapler

SNS50XP



NFG075 Revised Januar 29, 2019 (Replaces 6/15/11) © 2011 by Senco Brands, Inc. Cincinnati, Ohio 45245—U.S.A.

Available Plugs
(Not Included with ⓪)

| | |
|---------------------------|-----------------|
| | PC0480 |
| Ind. Interchange 3/8" NPT | |
| | PC0485 ✓ |
| Ind. Intechange 3/8" NPT | |
| | PC0469 |
| Tru-Flate 3/8" NPT | |
| | PC0475 ✓ |
| Tru-Flate 3/8" NPT | |

4 Recommended Plugs
Plugs shown smaller than actual size

REPLACEMENT PARTS LIST • LISTA DE PARTES DE REPUESTO • ERSATSTEILE-LISTE • LISTE DE PIÈCES DE RECHANGE

| PART NO. | DESCRIPTION | DESCRIPCIÓN | BESCHREIBUNG | DÉSIGNATION |
|----------|------------------|--------------------|------------------------|------------------------------|
| AB0095 | MAIN BODY | CARCASA | GEHÄUSE | CORPS |
| AC0175 | SEAL | SELLO | DICHTUNG | JOINT |
| AC0327 | CAP | TAPA | KAPPE | BOUCHON |
| BA0139 | INSERT (4) | ACOPLAMIENTO (4) | EINSATZ (4) | INSERT (4) |
| BB0178 | STOP | TOPE | PUFFER | ARRÊT |
| BC0310 | BUSHING | CASQUILLO | HÜLSE | DOUILLE |
| BC0319 | VALVE | VÁLVULA | VENTIL | VALVE |
| BC0375 | CYLINDER | CILINDRO | ZYLINDER | CYLINDRE |
| BF0174 | SEAL | SELLO | DICHTUNG | JOINT |
| BF0175 | VALVE | VÁLVULA | VENTIL | VALVE |
| BF0177 | SEAL | SELLO | DICHTUNG | JOINT |
| BF0178 | BUMPER | AMORTIGUADOR | PUFFER | AMORTISSEUR |
| BF0179 | DEFLECTOR | DESVIADOR | ABWEISER | DÉFLECTEUR |
| BF0262 | VALVE | VÁLVULA | VENTIL | VALVE |
| CC0179 | HOUSING | ALOJAMIENTO | GEHÄUSE | CORPS |
| CC0181 | CORE | VÁSTAGO | VENTILSTIFT | NOYAU |
| CC0197 | HOUSING | ALOJAMIENTO | GEHÄUSE | CORPS |
| CC0198 | CORE | VÁSTAGO | VENTILSTIFT | NOYAU |
| CF0007 | HOUSING | ALOJAMIENTO | GEHÄUSE | CORPS |
| EA0137 | PISTON ASSEMBLY | ASAMBLE DE PISTON | KOLBEN-ZUSAMMENBAU | ENSEMBLE PISTON-COUTEAU |
| FA0207 | LATCH ASSEMBLY | ASAMBLE DE UÑETA | VERSCHLUSS-ZUSAMMENBAU | DOIGT DE RETENUE D'ASSEMBLÉE |
| FA0191 | GUIDE BODY | PLACA DE NARIZ | KLAMMERFÜHRUNG | FRONT |
| FA0202 | PLATE | PLACA | PLATTE | PLAQUE |
| FA0203 | PLATE (10) | PLACA (10) | PLATTE (10) | PLAQUE (10) |
| FC0067 | GRIP | AGARRADERO | GRIFF | GAINÉ EN CUIR |
| FC0347 | DOOR | PUERTA | ABDECKSCHIEBER | PORTE |
| GB0356 | DOOR (US) | PUERTA | ABDECKSCHIEBER | PORTE |
| GB0372 | DOOR (EU) | PUERTA | ABDECKSCHIEBER | PORTE |
| GB0500 | MAGAZINE | CARGADOR | MAGAZIN | MAGASIN |
| GC0616 | LATCH | UÑETA | VERSCHLUSS | DOIGT DE RETENUE |
| GC0617 | FEEDER SHOE | ALIMENTADOR | NAGELSCHIEBER | POUSSOIR |
| GC0618 | SPRING | RESORTE | FEDER | RESSORT |
| GF0039 | COVER | CUBIERTA | ABDECKUNG | COUVERCLE |
| HA0096 | TRIGGER ASSEMBLY | ASAMBLE DE GATILLO | AUSLÖSER-ZUSAMMENBAU | GÂCHETTE D'ASSEMBLÉE |
| HA0104 | TRIGGER ASSEMBLY | ASAMBLE DE GATILLO | AUSLÖSER-ZUSAMMENBAU | GÂCHETTE D'ASSEMBLÉE |
| HC0148 | TRIGGER | GATILLO | AUSLÖSER | GÂCHETTE |
| HC0149 | TRIGGER | GATILLO | AUSLÖSER | GÂCHETTE |
| HC0211 | TRIGGER | GATILLO | AUSLÖSER | GÂCHETTE |
| HC0238 | SAFETY ELEMENT | SEGURO | SICHERHEITSVORRICHTUNG | PALPEUR DE SÉCURITÉ |
| HC0266 | SAFETY ELEMENT | SEGURO | SICHERHEITSVORRICHTUNG | PALPEUR DE SÉCURITÉ |
| HF0024 | TRIGGER | GATILLO | AUSLÖSER | GÂCHETTE |
| HF0035 | COVER | CUBIERTA | ABDECKUNG | COUVERCLE |
| KB0031 | SCREW | TORNILLO | SCHRAUBE | VIS |
| KB0067 | SCREW | TORNILLO | SCHRAUBE | VIS |
| KB0161 | SCREW | TORNILLO | SCHRAUBE | VIS |
| KB3239 | PIN | PASADOR | STIFT | GOUPILLE |
| KB3261 | SCREW | TORNILLO | SCHRAUBE | VIS |
| KB3311 | WASHER | ARANDELA | SCHRAUBE | RONDELLE |
| KB3420 | SCREW | TORNILLO | SCHRAUBE | VIS |
| KB3422 | SCREW | TORNILLO | SCHRAUBE | VIS |
| KB3495 | PIN | PASADOR | STIFT | GOUPILLE |
| KB4029 | SPRING | RESORTE | FEDER | RESSORT |
| KB4130 | SPRING | RESORTE | FEDER | RESSORT |
| KB4131 | SPRING | RESORTE | FEDER | RESSORT |
| KB4177 | SPRING | RESORTE | FEDER | RESSORT |
| KB4197 | SPRING | RESORTE | FEDER | RESSORT |
| KB4270 | SPRING | RESORTE | FEDER | RESSORT |
| KB5301 | WASHER | ARANDELA | SCHRAUBE | RONDELLE |
| KC0055 | PIN | PASADOR | STIFT | GOUPILLE |
| KC0062 | RETAINER | RETÉN | SICHERUNGSRING | RETENUE |
| LB0007 | SEAL | SELLO | DICHTUNG | JOINT |
| LB0012 | SEAL | SELLO | DICHTUNG | JOINT |
| LB0016 | SEAL | SELLO | DICHTUNG | JOINT |
| LB0036 | SEAL | SELLO | DICHTUNG | JOINT |
| LB0056 | SEAL | SELLO | DICHTUNG | JOINT |
| LB0057 | SEAL | SELLO | DICHTUNG | JOINT |
| LB0084 | SEAL | SELLO | DICHTUNG | JOINT |
| LB0093 | SEAL | SELLO | DICHTUNG | JOINT |
| LB0128 | SEAL | SELLO | DICHTUNG | JOINT |
| LB0859 | SEAL | SELLO | DICHTUNG | JOINT |
| LB0865 | SEAL | SELLO | DICHTUNG | JOINT |
| LB0873 | SEAL | SELLO | DICHTUNG | JOINT |
| LB0874 | SEAL | SELLO | DICHTUNG | JOINT |
| LB0875 | SEAL | SELLO | DICHTUNG | JOINT |
| LB5008 | SEAL | SELLO | DICHTUNG | JOINT |